

10 kPa On-Chip Temperature Compensated & Calibrated Silicon Pressure Sensors

MPX2010 SERIES

Motorola Preferred Device

The MPX2010/MPXT2010 series silicon piezoresistive pressure sensors provide a very accurate and linear voltage output — directly proportional to the applied pressure. These sensors house a single monolithic silicon die with the strain gauge and thin-film resistor network integrated on each chip. The sensor is laser trimmed for precise span, offset calibration and temperature compensation.

COMPENSATED PRESSURE SENSOR
0 to 10 kPa (0 to 1.45 psi)
FULL SCALE SPAN: 25 mV

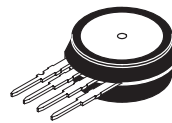
Features

- Temperature Compensated over 0°C to +85°C
- Unique Silicon Shear Stress Strain Gauge
- Ratiometric to Supply Voltage
- Differential and Gauge Options

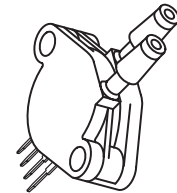
Application Examples

- Respiratory Diagnostics
- Air Movement Control
- Controllers
- Pressure Switching

UNIBODY PACKAGES MPX2010



BASIC CHIP CARRIER ELEMENT
CASE 344-15, STYLE 1



DIFFERENTIAL PORT OPTION
CASE 344C-01, STYLE 1

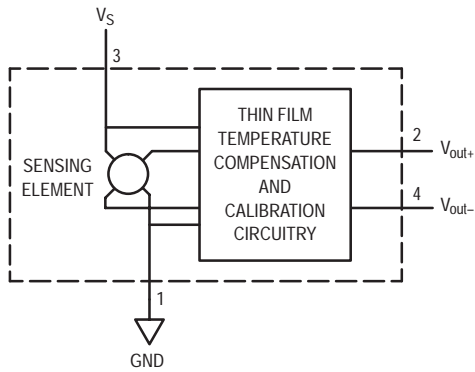


Figure 1. Temperature Compensated and Calibrated Pressure Sensor Schematic

PIN NUMBER

1	2	3	4
Ground	+V _{out}	V _S	-V _{out}

NOTE: Pin 1 is the notched pin.

VOLTAGE OUTPUT versus APPLIED DIFFERENTIAL PRESSURE

The output voltage of the differential or gauge sensor increases with increasing pressure applied to the pressure side (P1) relative to the vacuum side (P2). Similarly, output voltage increases as increasing vacuum is applied to the vacuum side (P2) relative to the pressure side (P1).

Figure 1 shows a block diagram of the internal circuitry on the stand-alone pressure sensor chip.

Preferred devices are Motorola recommended choices for future use and best overall value.

MPX2010 SERIES

MAXIMUM RATINGS

Rating	Symbol	Value	Unit
Overpressure ⁽⁸⁾ (P1 > P2)	P _{max}	75	kPa
Burst Pressure ⁽⁸⁾ (P1 > P2)	P _{burst}	100	kPa
Storage Temperature	T _{stg}	-40 to +125	°C
Operating Temperature	T _A	-40 to +125	°C

OPERATING CHARACTERISTICS (V_S = 10 Vdc, T_A = 25°C unless otherwise noted, P1 > P2)

Characteristic	Symbol	Min	Typ	Max	Unit	
Pressure Range ⁽¹⁾	P _{OP}	0	—	10	kPa	
Supply Voltage ⁽²⁾	V _S	—	10	16	Vdc	
Supply Current	I _o	—	6.0	—	mAdc	
Full Scale Span ⁽³⁾	V _{FSS}	24	25	26	mV	
Offset ⁽⁴⁾	MPX2010 MPXT2010	V _{off}	-1.0	—	1.0	mV
			-1.0	—	1.0	
Sensitivity	ΔV/ΔP	—	2.5	—	mV/kPa	
Linearity ⁽⁵⁾	—	-1.0	—	1.0	%V _{FSS}	
Pressure Hysteresis ⁽⁵⁾ (0 to 10 kPa)	—	—	±0.1	—	%V _{FSS}	
Temperature Hysteresis ⁽⁵⁾ (-40°C to +125°C)	—	—	±0.5	—	%V _{FSS}	
Temperature Effect on Full Scale Span ⁽⁵⁾	TCV _{FSS}	-1.0	—	1.0	%V _{FSS}	
Temperature Effect on Offset ⁽⁵⁾	TCV _{off}	-1.0	—	1.0	mV	
Input Impedance	Z _{in}	1000	—	2550	Ω	
Output Impedance	Z _{out}	1400	—	3000	Ω	
Response Time ⁽⁶⁾ (10% to 90%)	t _R	—	1.0	—	ms	
Warm-Up	—	—	20	—	ms	
Offset Stability ⁽⁹⁾	—	—	±0.5	—	%V _{FSS}	

MECHANICAL CHARACTERISTICS

Characteristic	Symbol	Min	Typ	Max	Unit
Weight (Basic Element Case 344-15)	—	—	2.0	—	Grams
Weight (Basic Element Case 473A-01)	—	—	2.0	—	Grams
Common Mode Line Pressure ⁽⁷⁾	—	—	—	690	kPa

NOTES:

- 1.0 kPa (kiloPascal) equals 0.145 psi.
- Device is ratiometric within this specified excitation range. Operating the device above the specified excitation range may induce additional error due to device self-heating.
- Full Scale Span (V_{FSS}) is defined as the algebraic difference between the output voltage at full rated pressure and the output voltage at the minimum rated pressure.
- Offset (V_{off}) is defined as the output voltage at the minimum rated pressure.
- Accuracy (error budget) consists of the following:
 - Linearity: Output deviation from a straight line relationship with pressure, using end point method, over the specified pressure range.
 - Temperature Hysteresis: Output deviation at any temperature within the operating temperature range, after the temperature is cycled to and from the minimum or maximum operating temperature points, with zero differential pressure applied.
 - Pressure Hysteresis: Output deviation at any pressure within the specified range, when this pressure is cycled to and from the minimum or maximum rated pressure, at 25°C.
 - TcSpan: Output deviation at full rated pressure over the temperature range of 0 to 85°C, relative to 25°C.
 - TcOffset: Output deviation with minimum rated pressure applied, over the temperature range of 0 to 85°C, relative to 25°C.
- Response Time is defined as the time for the incremental change in the output to go from 10% to 90% of its final value when subjected to a specified step change in pressure.
- Common mode pressures beyond specified may result in leakage at the case-to-lead interface.
- Exposure beyond these limits may cause permanent damage or degradation to the device.
- Offset stability is the product's output deviation when subjected to 1000 hours of Pulsed Pressure, Temperature Cycling with Bias Test.

ON-CHIP TEMPERATURE COMPENSATION and CALIBRATION

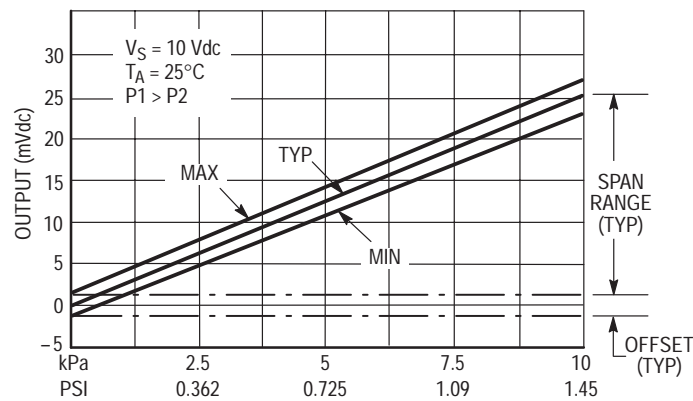


Figure 2. Output versus Pressure Differential

Figure 2 shows the output characteristics of the MPX2010 series at 25°C. The output is directly proportional to the differential pressure and is essentially a straight line.

The effects of temperature on full scale span and offset are very small and are shown under Operating Characteristics.

This performance over temperature is achieved by having both the shear stress strain gauge and the thin-film resistor circuitry on the same silicon diaphragm. Each chip is dynamically laser trimmed for precise span and offset calibration and temperature compensation.

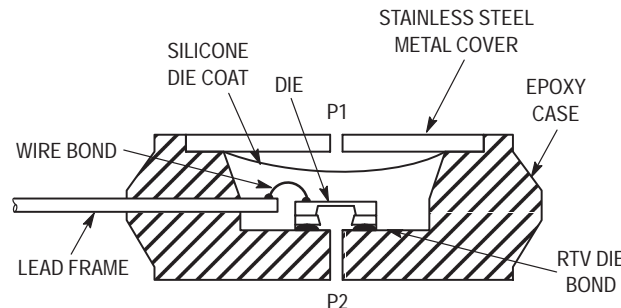


Figure 3. Unibody Package — Cross-Sectional Diagram (not to scale)

Figure 3 illustrates the differential/gauge die in the basic chip carrier (Case 344-15). A silicone gel isolates the die surface and wire bonds from the environment, while allowing the pressure signal to be transmitted to the silicon diaphragm.

The MPX2010 series pressure sensor operating charac-

teristics and internal reliability and qualification tests are based on use of dry air as the pressure media. Media other than dry air may have adverse effects on sensor performance and long term reliability. Contact the factory for information regarding media compatibility in your application.

MPX2010 SERIES

LINEARITY

Linearity refers to how well a transducer's output follows the equation: $V_{out} = V_{off} + \text{sensitivity} \times P$ over the operating pressure range. There are two basic methods for calculating nonlinearity: (1) end point straight line fit (see Figure 5) or (2) a least squares best line fit. While a least squares fit gives the "best case" linearity error (lower numerical value), the calculations required are burdensome.

Conversely, an end point fit will give the "worst case" error (often more desirable in error budget calculations) and the calculations are more straightforward for the user. Motorola's specified pressure sensor linearities are based on the end point straight line method measured at the midrange pressure.

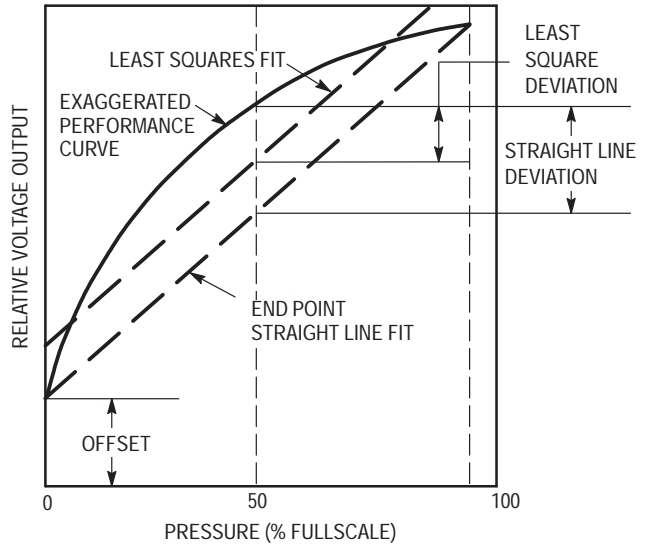


Figure 4. Linearity Specification Comparison

PRESSURE (P1)/VACUUM (P2) SIDE IDENTIFICATION TABLE

Motorola designates the two sides of the pressure sensor as the Pressure (P1) side and the Vacuum (P2) side. The Pressure (P1) side is the side containing silicone gel which isolates the die from the environment. The Motorola MPX

pressure sensor is designed to operate with positive differential pressure applied, $P1 > P2$.

The Pressure (P1) side may be identified by using the table below:

Part Number	Case Type	Pressure (P1) Side Identifier
MPX2010D	344-15	Stainless Steel Cap
MPX2010DP	344C-01	Side with Part Marking
MPX2010GP	344B-01	Side with Port Attached
MPXT2010G7U	473A-01	Side with Part Marking

ORDERING INFORMATION — UNIBODY PACKAGE

MPX2010 series pressure sensors are available in differential and gauge configurations. Devices are available in the basic element package or with pressure port fittings which provide printed circuit board mounting ease and barbed hose pressure connections.

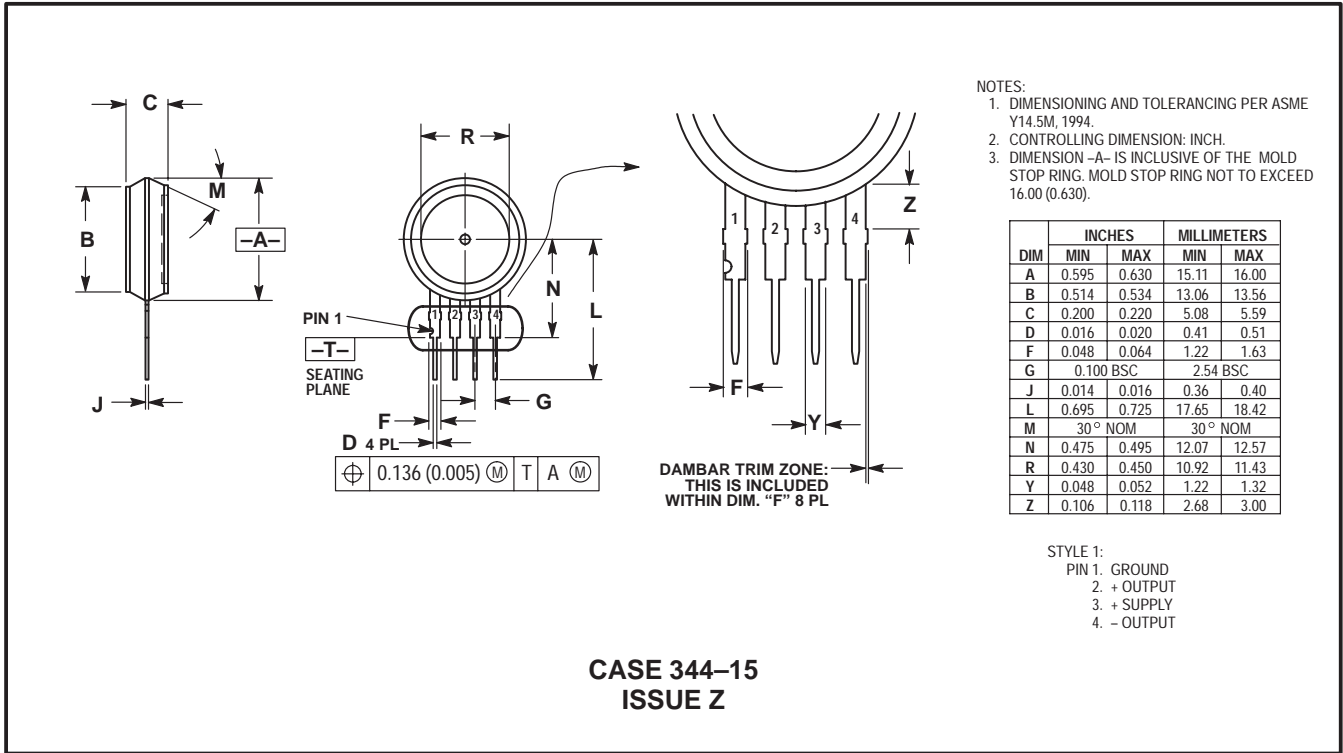
Device Type	Options	Case Type	MPX Series	
			Order Number	Device Marking
Basic Element	Differential	Case 344-15	MPX2010D MPX2012D	MPX2010D MPX2012D
Ported Elements	Differential	Case 344C-01	MPX2010DP MPX2012DP	MPX2010DP MPX2012DP

ORDERING INFORMATION — TOP PISTON FIT PACKAGE

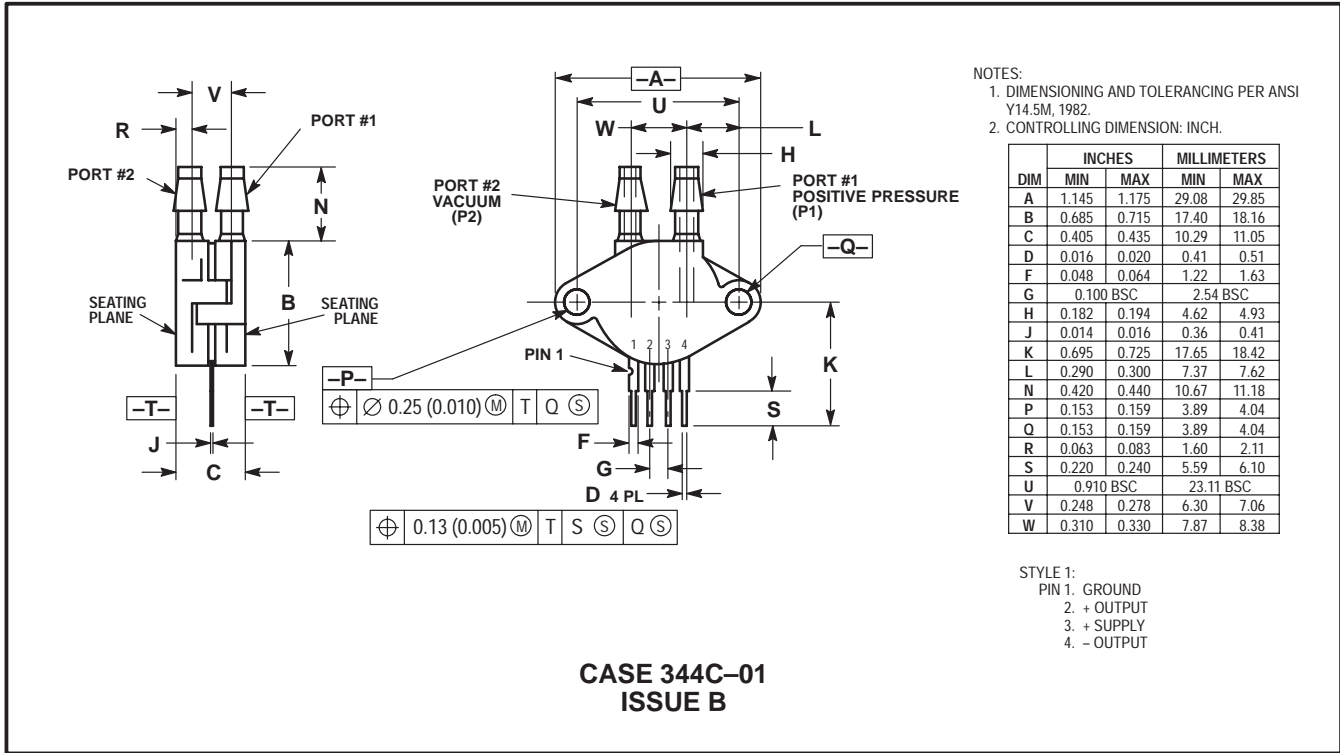
The MPXT2010G7U pressure sensor is available to be shipped in Rails.

Packing Options	Port Options	Leadform	Case Type	MPXT Series Order No.	Marking
Rails	Element	84 degree	473A-01	MPXT2010G7U	MPXT2010G

UNIBODY PACKAGE DIMENSIONS




UNIBODY PACKAGE DIMENSIONS — CONTINUED



NOTES

MPX2010 SERIES

Mfax is a trademark of Motorola, Inc.

Motorola reserves the right to make changes without further notice to any products herein. Motorola makes no warranty, representation or guarantee regarding the suitability of its products for any particular purpose, nor does Motorola assume any liability arising out of the application or use of any product or circuit, and specifically disclaims any and all liability, including without limitation consequential or incidental damages. "Typical" parameters which may be provided in Motorola data sheets and/or specifications can and do vary in different applications and actual performance may vary over time. All operating parameters, including "Typicals" must be validated for each customer application by customer's technical experts. Motorola does not convey any license under its patent rights nor the rights of others. Motorola products are not designed, intended, or authorized for use as components in systems intended for surgical implant into the body, or other applications intended to support or sustain life, or for any other application in which the failure of the Motorola product could create a situation where personal injury or death may occur. Should Buyer purchase or use Motorola products for any such unintended or unauthorized application, Buyer shall indemnify and hold Motorola and its officers, employees, subsidiaries, affiliates, and distributors harmless against all claims, costs, damages, and expenses, and reasonable attorney fees arising out of, directly or indirectly, any claim of personal injury or death associated with such unintended or unauthorized use, even if such claim alleges that Motorola was negligent regarding the design or manufacture of the part. Motorola and  are registered trademarks of Motorola, Inc. Motorola, Inc. is an Equal Opportunity/Affirmative Action Employer.

How to reach us:

USA/EUROPE/Locations Not Listed: Motorola Literature Distribution; P.O. Box 5405, Denver, Colorado 80217.
1-303-675-2140 or 1-800-441-2447

JAPAN: Motorola Japan Ltd.; SPS, Technical Information Center, 3-20-1, Minami-Azabu, Minato-ku, Tokyo 106-8573 Japan.
81-3-3440-3569

ASIA/PACIFIC: Motorola Semiconductors H.K. Ltd.; Silicon Harbour Centre, 2 Dai King Street, Tai Po Industrial Estate, Tai Po, N.T., Hong Kong. 852-26668334

Customer Focus Center: 1-800-521-6274

Mfax™: RMFAX0@email.sps.mot.com – TOUCHTONE 1-602-244-6609
Motorola Fax Back System – US & Canada ONLY 1-800-774-1848
– http://sps.motorola.com/mfax/

HOME PAGE: <http://motorola.com/sps/>

