



## 82050 ASYNCHRONOUS COMMUNICATIONS CONTROLLER

- **Asynchronous Operation**
  - 5- to 8-Bit Character Format
  - Odd-, Even-, or No-Parity Generation and Detection
  - Serial Bit Rate: DC to 56 Kb/s
- **Programmable, 16-Bit Baud Rate Generator**
- **System Clock**
  - On-Chip Crystal Oscillator
  - Externally Generated Clock
- **28-Lead DIP and PLCC Packages**
- **IBM PC (INS 16450/8250A) Software Compatible**
- **Seven I/O Pins**
  - Dedicated Modem I/O
  - General Purpose I/O
- **No-TTL Interface to Most Intel Processors**
- **Internal Diagnostics with Local Loopback**
- **Complete Interrupt and Status Reporting**
- **CHMOS III Technology Provides Increased Reliability and Reduced Power Consumption**
- **Line Break Generation and Detection**

The Intel CHMOS 82050 Asynchronous Communications Controller is a low cost, higher performance alternative to the INS 16450—it emulates the INS 16450 and provides 100% compatibility with IBM PC software. Its 28-lead package provides all the functionality necessary for an IBM PC environment while substantially decreasing board space requirements. The 82050's simpler system interface reduces TTL glue—especially for higher frequency PC bus designs. The 82050 provides a low cost, high-performance integrated modem solution when combined with Intel's 89024 modem chip set. The compact 28-pin 82050 is fabricated using CHMOS III technology for decreased power consumption and increased reliability.

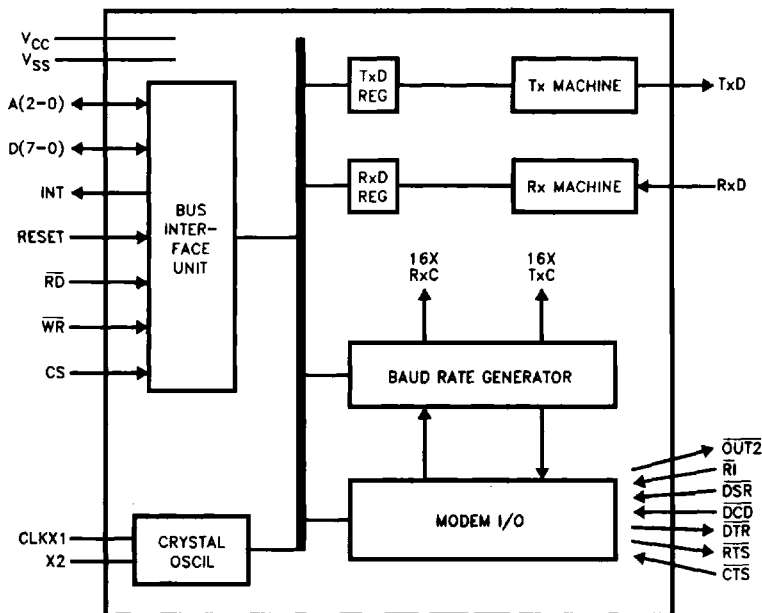


Figure 1. Block Diagram

290137-1

The complete document for this product is available on Intel's "Data-on-Demand" CD-ROM product. Contact your local Intel field sales office, Intel technical distributor, or call 1-800-548-4725.