



Micro Commercial Components

Micro Commercial Components  
 20736 Marilla Street Chatsworth  
 CA 91311  
 Phone: (818) 701-4933  
 Fax: (818) 701-4939

# MC79L05F

## Features

- Internal Short Circuit Current Limiting
- Internal Thermal Overload Protection
- No External Components Required

## Absolute Maximum Ratings

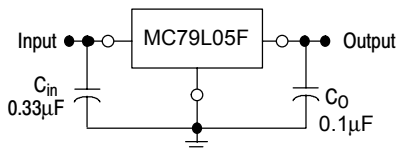
Parameter	Symbol	Value	Unit
Input Voltage	$V_1$	30	V
Operating Junction Temperature	$T_{OPR}$	-30---+75	°C
Storage Temperature Range	$T_{STG}$	-40---+125	°C

## Electrical Characteristics ( $V_i=10V$ , $I_o=40mA$ , $0^\circ C < T_j < 125^\circ C$ , $C_1=0.33\mu F$ , $C_o=0.1\mu F$ , unless otherwise specified)

Parameter	Sym	Min	Typ	Max	Test conditions
Output Voltage	$V_o$	4.8V	5.0V	5.2V	$V_i=10V$ , $I_o=40mA$
Load Regulation	$V_o - I_o$		7.0mV	60mV	$I_o=1mA-100mA$ , $V_i=10V$
Line regulation	$V_o - V_i$		15mV	150mV	$7V \leq V_i \leq 20V$ , $I_o=40mA$
Quiescent Current	$I_q$		3.5mA	6.0mA	$V_i=10V$ , $I_o=40mA$
Output Noise Voltage	$V_N$		120 $\mu$ V		$10Hz \leq f \leq 100KHz$ $V_i=10V$ , $I_o=40mA$
Ripple Rejection	RR	41dB	71dB		$8V \leq V_i \leq 18V$ , $I_o=40mA$ $f=120Hz$ , $T_j=25^\circ C$ $e_{IN}=1V_{P-P}$

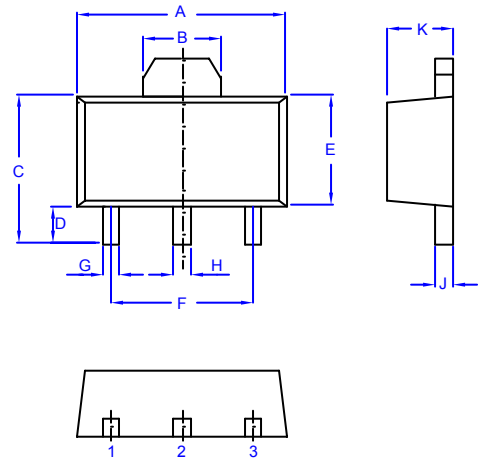
\*Note: Bypass Capacitors are recommended for optimum stability and transient response and should be located as close as possible to the regulators

Typical Application:



## Three-Terminal Low Current Negative Voltage Regulator

## SOT-89



1. GND
2. IN
3. OUT

DIM	DIMENSIONS				NOTES
	INCHES		MM		
	MIN	MAX	MIN	MAX	
A	.173	.181	4.39	4.60	
B	.063	.071	1.60	1.80	
C	.154	.165	3.91	4.19	
D	.031	.039	0.80	1.00	
E	.092	.100	2.34	2.54	
F	.118	-----	3.00	-----	TYP
G	.013	.019	0.33	0.48	
H	.015	.021	0.38	0.53	
J	.015	.016	0.38	0.41	
K	.055	.063	1.40	1.60	