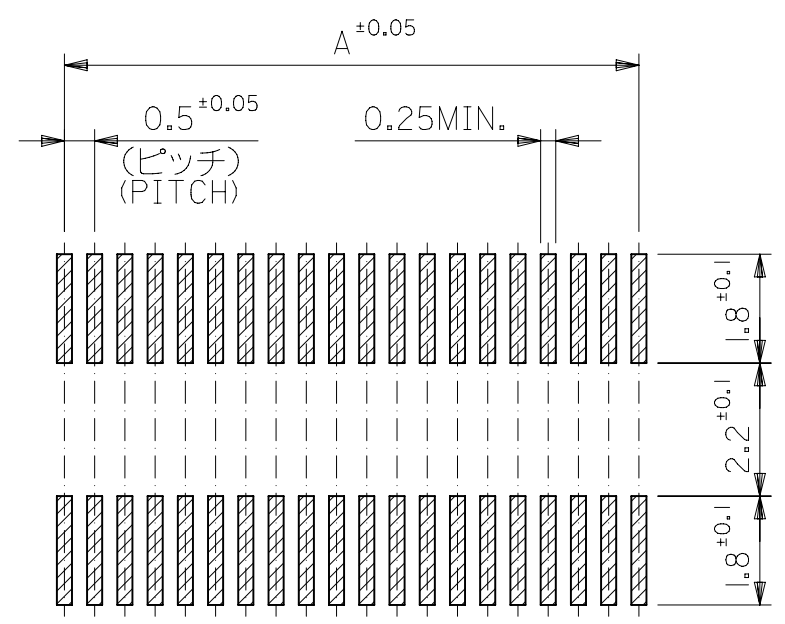
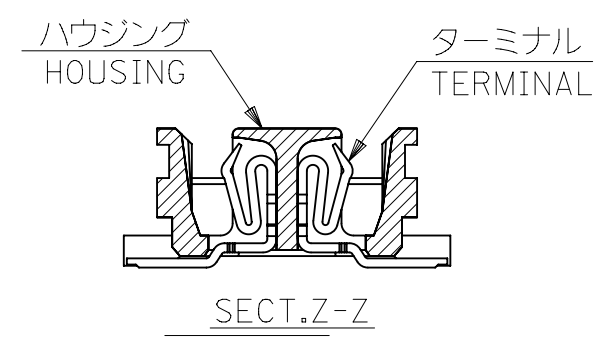
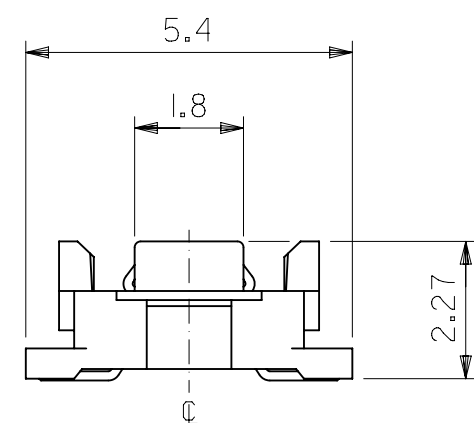


注記 NOTES:

1. 使用材料 MATERIAL
 ハウジング: LCPガラス入り (白), UL94V-0
 HOUSING: LCP(G.F.)(COLOR:WHITE), UL94V-0
 ターミナル: リン青銅 (t=0.15)
 TERMINAL: PHOSPHOR BRONZE (t=0.15)
2. メッキ仕様 PLATING
 全体仕上げ: 金メッキ 0.1 MICROMETER MIN.
 ALL OVER: GOLD 0.1 MICROMETER MIN.
 下地メッキ: ニッケルメッキ 1.5 MICROMETER MIN.
 UNDER PLATING: NICKEL 1.5 MICROMETER MIN.
3. 基準面 [X] からのソルダーテールの半田付け面のズレ量は、上方向 0 下方向 0.15MAX. とする。
 MISALIGNMENT OF SOLDER TAIL FROM [X]
 : UPPER DIRECTION 0, LOWER DIRECTION 0.15 MAX.



参考基板レイアウト (マウント面)
 P.C. BOARD PATTERN
 DIMENSION. (REF.)
 (MOUNTING AREA)

- △ (全極数/2) = 偶数の場合に適用。
 APPLY FOR (CIRCUIT/2)=EVEN.
- 5 嵌合相手: 53748 シリーズ 53916 シリーズ 502280 シリーズ
 MATE WITH: 53748 SERIES, 53916 SERIES, 502280 SERIES.
- 6 テール平坦度は、0.1MAX.
 TAIL COPLANARITY TO BE 0.1MAX.
- △ 肉抜き形状は40極以上に存在。
 MOLD REMOVALS ARE APPLIED TO OVER 40CKT.

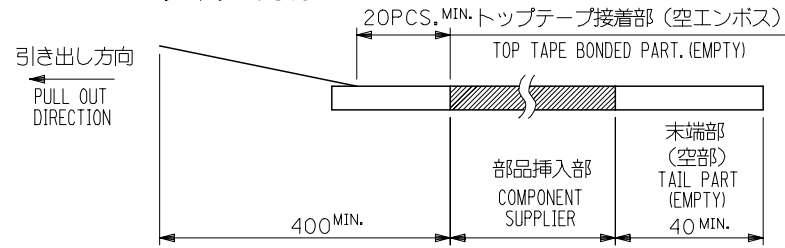
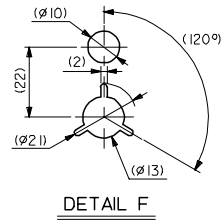
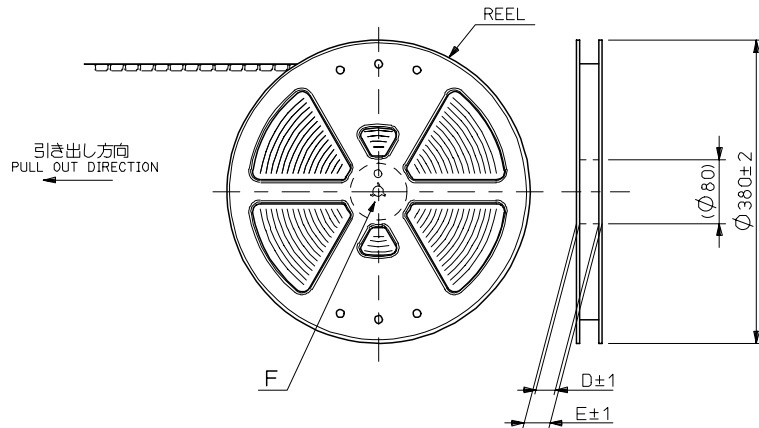
| | | | | |
|------|------|------|--------------|---------------|
| 23.8 | 20.2 | 19.5 | 52991-0800 | 80 |
| 21.3 | 17.7 | 17.0 | -0700 | 70 |
| 18.8 | 15.2 | 14.5 | -0600 | 60 |
| 16.3 | 12.7 | 12.0 | -0500 | 50 |
| 13.8 | 10.2 | 9.5 | -0400 | 40 |
| 11.3 | 7.7 | 7.0 | -0300 | 30 |
| 8.8 | 5.2 | 4.5 | 52991-0200 | 20 |
| C | B | A | MATERIAL NO. | 極数 CIRCUIT |

52991-***0 MODEL NO.

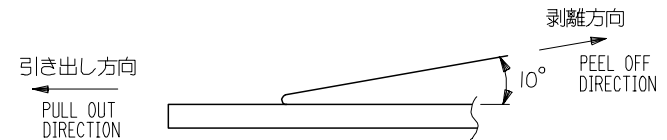
| | | | |
|--|--------|---|-------|
| GENERAL TOLERANCES (UNLESS SPECIFIED) | | THIS DRAWING CONTAINS INFORMATION THAT IS PROPRIETARY TO MOLEX ELECTRONIC TECHNOLOGIES, LLC AND SHOULD NOT BE USED WITHOUT WRITTEN PERMISSION | |
| 10 UNDER | ± 0.2 | DIMENSION UNITS | SCALE |
| 10 OVER 30 UNDER | ± 0.25 | mm | 8:1 |
| 30 OVER | ± 0.3 | CURRENT REV DESC: | |
| ANGULAR | ± 3 ° | GENERAL TOLERANCES (UNLESS SPECIFIED) | |
| DRAFT WHERE APPLICABLE MUST REMAIN WITHIN DIMENSIONS | | ANGULAR TOL ± 30 ° | |
| | | 4 PLACES ± 0.2 | |
| | | 3 PLACES ± 0.25 | |
| | | 2 PLACES ± 0.3 | |
| | | 1 PLACE ± | |
| | | 0 PLACES ± | |
| | | DRAFT WHERE APPLICABLE MUST REMAIN WITHIN DIMENSIONS | |
| | | THIRD ANGLE PROJECTION | |
| | | DRAWING | |
| | | SERIES | |
| | | MATERIAL NUMBER | |
| | | CUSTOMER | |
| | | SHEET NUMBER | |
| | | B-SIZE | |
| | | 52991 | |
| | | SEE CHART | |
| | | GENERAL MARKET | |
| | | 1 OF 1 | |
| | | EC NO: 606477 | |
| | | DRWN: RMIYAMOTO 2018/10/23 | |
| | | CHK'D: KSASAKI 2018/10/24 | |
| | | APPR: TKUSUHARA01 2018/10/24 | |
| | | INITIAL REVISION: | |
| | | DRWN: NAIDA 2005/08/31 | |
| | | APPR: NUKITA 2005/09/09 | |
| | | DOCUMENT NUMBER | |
| | | SD-52991-004 | |
| | | DOC TYPE | |
| | | PSD | |
| | | DOC PART | |
| | | 001 | |
| | | REVISION | |
| | | E | |
| | | PRODUCT CUSTOMER DRAWING | |
| | | 0.5 B/B CONN REC HOUSING ASSY(W/O BOSS, W/O NAIL) -LEAD FREE- | |
| | | DOCUMENT NUMBER | |
| | | SD-52991-004 | |
| | | DOC TYPE | |
| | | PSD | |
| | | DOC PART | |
| | | 001 | |
| | | REVISION | |
| | | E | |

NOTES

- 製品詳細寸法については図面 SD-52991-004 を参照下さい。
RE DETAILED DIMENSION, SEE SD-52991-004
- 梱包数量：3000個/リール
NUMBER OF CONNECTORS : 3000PCS/REEL
- リードテープ長さ LEAD TAPE LENGTH



- トップテープの剥離強度：0.1N~1.3N (10gf~130gf) (剥離方向は下図参照)
尚、本規格値は出荷時に適用。(但し、輸送時に剥離が発生しないこと。)
PEELING OFF FORCE OF TOP TAPE : 0.1N~1.3N (10gf~130gf)
(PEELING DIRECTION AS SHOWN IN FOLLOWING FIG.)
THIS REQUIREMENT SHOULD BE APPLIED AT SHIPMENT.
PEEL OFF SHOULD NOT BE ALLOWED , DURING TRANSPORTATION.



- 材料 (MATERIAL)
キャリアテープ (CARRIER TAPE) : ポリプロピレン (POLYPROPYLENE)
トップテープ (TOPTAPE) : PET , PE , PEF
リール (REEL) : ポリスチレン (PS) <リサイクル材を含む>
POLYSTYREN (PS) <RECYCLE MATERIAL CONTAINED>

52991-***8 MODEL NO.

| | | | | | | | | |
|--|---------------------------------------|------------|-----------------------------|---|---|------------------------|------------------------|--|
| REVISED EC NO: J2006-0604 DRW:NAIDA 2005/08/31 CHK:KTOYODA 2005/09/01 APPR:NUKITA 2005/09/09 | GENERAL TOLERANCES (UNLESS SPECIFIED) | | DIMENSION STYLE MM ONLY | | SCALE --- | DESIGN UNITS METRIC | THIRD ANGLE PROJECTION | |
| | 10 UNDER | ± 0.2 | DRAWN BY T. NIITSU | DATE '95/10/17 | TITLE 0.5 B/B CONN REC HSG ASSY EMBSTP PKG -LEAD FREE- | | | |
| | 10 OVER 30 UNDER | ± 0.25 | CHECKED BY T. ITO | DATE '01/01/31 | MOLEX INCORPORATED | | | |
| | 30 OVER | ± 0.3 | APPROVED BY M. FUKUSHIMA | DATE '01/01/31 | DOCUMENT NO. SD-52991-005 | | SHEET NO. 1 OF 6 | |
| | ANGULAR | ± 3 ° | MATERIAL NO. SEE CHART | | | | | |
| DRAFT WHERE APPLICABLE MUST REMAIN WITHIN DIMENSIONS | | SIZE A3 | | THIS DRAWING CONTAINS INFORMATION THAT IS PROPRIETARY TO MOLEX INCORPORATED AND SHOULD NOT BE USED WITHOUT WRITTEN PERMISSION | | | | |

10 9 8 7 6 5 4 3 2 1

F

E

D

C

B

A

F

E

D

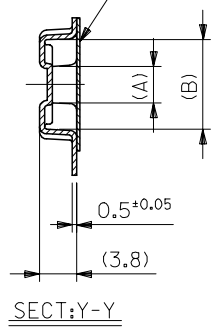
C

B

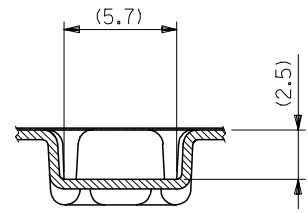
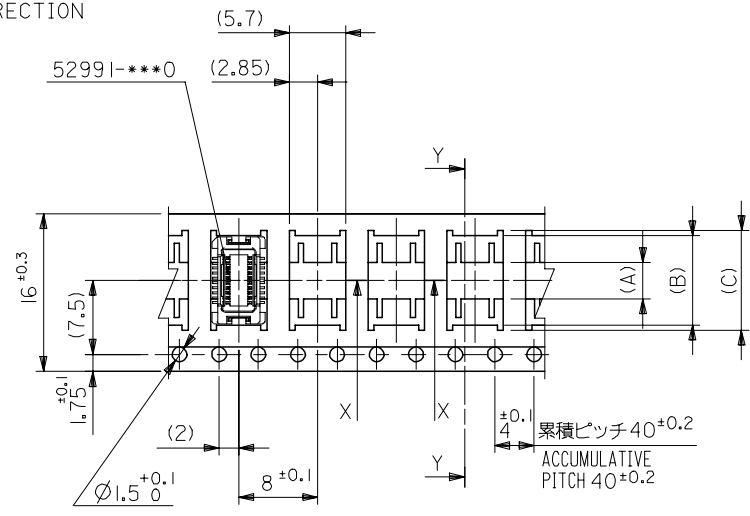
A

引き出し方向
PULL OUT DIRECTION

トップテープ
TOP TAPE



SECT:Y-Y



SECT:X-X
(SCALE 4:1)

16mm幅キャリアテープ
16mm WIDTH CARRIER TAPE

| | | | | | | | | | | | | | | | | | | | | | | | | | | | | | | | |
|------------------|--|-------------------|--|------------------------|--|---------------------------------------|--|-------------------|--|------------|--|--------------|--|---|------|--------------------|------|-------------|-----|--------------|----|--------------------|--|--------------|--|-----------|--|--------------|--|----|--|
| REVISED | | EC NO: J2006-0604 | | 2005/08/31 | | 2005/09/01 | | 2005/09/09 | | 52991-***8 | | MODEL NO. | | 16 | 21.4 | 17.4 | 10.1 | 9.1 | 3.7 | 52991-0208 | 20 | | | | | | | | | | |
| DRWN:NAIDA | | CHKD:TOYODA | | APPR:NUKITA | | GENERAL TOLERANCES (UNLESS SPECIFIED) | | DIMENSION STYLE | | SCALE | | DESIGN UNITS | | THIRD ANGLE PROJECTION | | CARRIER TAPE WIDTH | | E | | D | | (C) | | (B) | | (A) | | MATERIAL NO. | | 極数 | |
| 10 UNDER | | ± --- | | DRAWN BY | | DATE | | T.NIITSU | | '95/10/17 | | TITLE | | 0.5 B/B CONN REC HSG | | ASSY EMBSTP PKG | | -LEAD FREE- | | MATERIAL NO. | | 極数 | | 52991-0208 | | 20 | | | | | |
| 10 OVER 30 UNDER | | ± --- | | CHECKED BY | | DATE | | T.ITO | | '01/01/31 | | APPROVED BY | | DATE | | M.FUKUSHIMA | | '01/01/31 | | MOLEX | | MOLEX INCORPORATED | | DOCUMENT NO. | | SHEET NO. | | | | | |
| 30 OVER | | ± --- | | APPROVED BY | | DATE | | M.FUKUSHIMA | | '01/01/31 | | MATERIAL NO. | | SEE CHART | | SD-52991-005 | | 2 OF 6 | | | | | | | | | | | | | |
| ANGULAR | | ± --- ° | | DRAFT WHERE APPLICABLE | | MUST REMAIN | | WITHIN DIMENSIONS | | SIZE | | A3 | | THIS DRAWING CONTAINS INFORMATION THAT IS PROPRIETARY TO MOLEX INCORPORATED AND SHOULD NOT BE USED WITHOUT WRITTEN PERMISSION | | | | | | | | | | | | | | | | | |

10 9 8 7 6 5 4 3 2 1

F

E

D

C

B

A

F

E

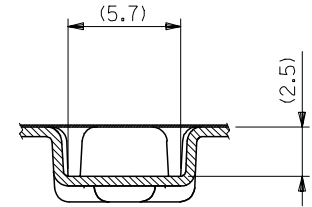
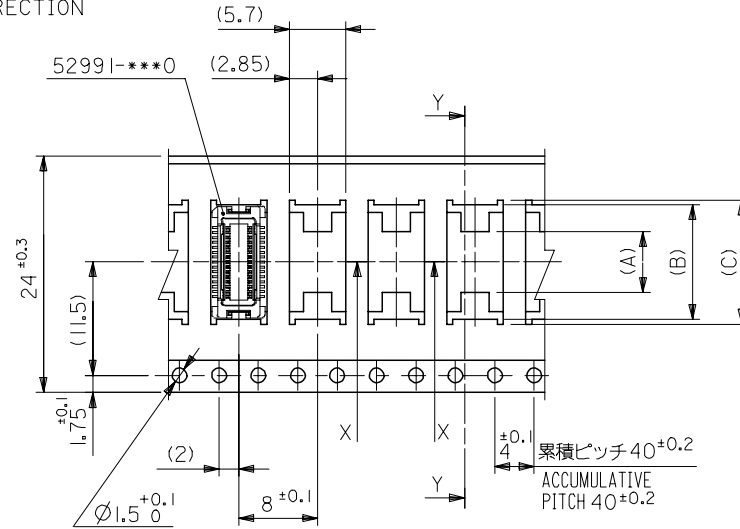
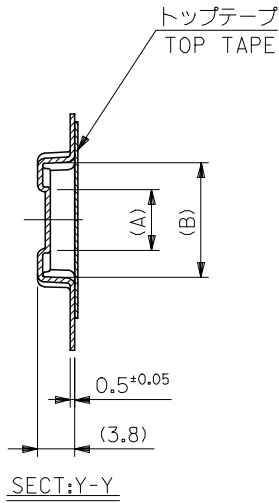
D

C

B

A

引き出し方向
PULL OUT DIRECTION



24mm幅キャリアテープ
24mm WIDTH CARRIER TAPE

| | | | | | | | |
|--------------------------------|------|------|------|------|-----|--------------|------------|
| 24 | 29.4 | 25.4 | 15.1 | 14.1 | 7.4 | 52991-0408 | 40 |
| | | | 12.6 | 11.6 | 4.9 | 52991-0308 | 30 |
| キャリアテープ幅 CARRIER TAPE WIDTH | E | D | (C) | (B) | (A) | MATERIAL NO. | 極数 CKT. |

| | | | | | | | | |
|--|--|---|--|-----------------------------|--|------------------------------|------------------------|---|
| REVISED EC NO: J2006-0604 DRWN:NAIDA 2005/08/31 CHKD:KTOYODA 2005/09/01 APPR:NUKITA 2005/09/09 | DESCRIPTION | 52991-***8 MODEL NO. | | DIMENSION STYLE MM ONLY | | SCALE --- | DESIGN UNITS METRIC | THIRD ANGLE PROJECTION |
| | GENERAL TOLERANCES (UNLESS SPECIFIED) | 10 UNDER ± --- | | DRAWN BY S. AIHARA | | DATE '96/04/01 | | TITLE 0.5 B/B CONN REC HSG ASSY EMBSTP PKG -LEAD FREE- |
| | | 10 OVER 30 UNDER ± --- | | CHECKED BY T. ITO | | DATE '01/01/31 | | MOLEX INCORPORATED |
| | | 30 OVER ± --- | | APPROVED BY M. FUKUSHIMA | | DATE '01/01/31 | | |
| | ANGULAR ± --- ° | DRAFT WHERE APPLICABLE MUST REMAIN WITHIN DIMENSIONS | | MATERIAL NO. SEE CHART | | DOCUMENT NO. SD-52991-005 | | SHEET NO. 3 OF 6 |
| D | REV | SIZE A3 THIS DRAWING CONTAINS INFORMATION THAT IS PROPRIETARY TO MOLEX INCORPORATED AND SHOULD NOT BE USED WITHOUT WRITTEN PERMISSION | | | | | | |

9

8

7

6

5

4

3

2

10 9 8 7 6 5 4 3 2 1

F

E

D

C

B

A

F

E

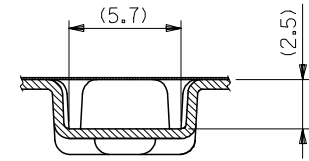
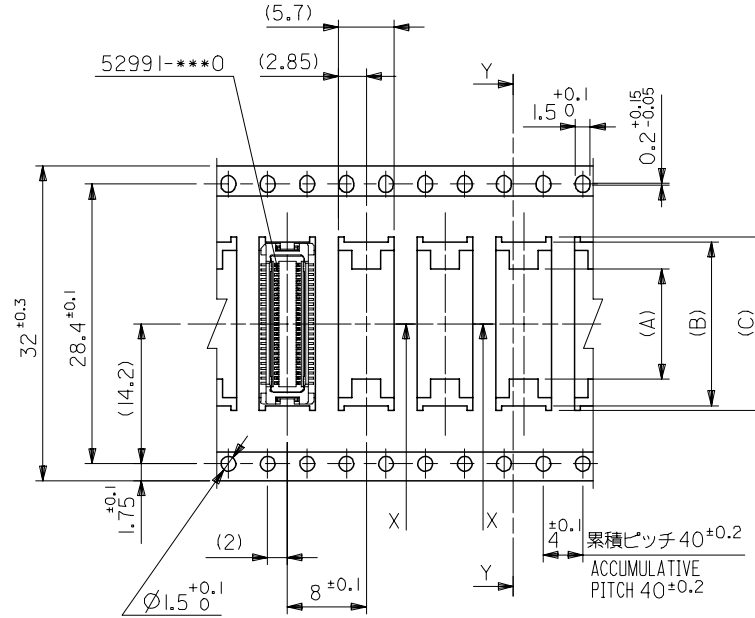
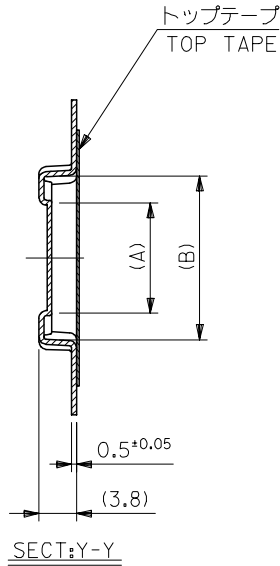
D

C

B

A

引き出し方向
PULL OUT DIRECTION



32mm幅キャリアテープ
32mm WIDTH CARRIER TAPE

| | | | | | | | |
|--------------------------------|------|------|------|------|------|--------------|------------|
| 32 | 37.4 | 33.4 | 17.6 | 16.6 | 11.2 | 52991-0508 | 50 |
| キャリアテープ幅 CARRIER TAPE WIDTH | E | D | (C) | (B) | (A) | MATERIAL NO. | 極数 CKT. |

| | |
|-------------------|-------------|
| REVISED | DESCRIPTION |
| EC NO: J2006-0604 | 2005/08/31 |
| DRW:NAIDA | 2005/09/01 |
| CHK:KTOYODA | 2005/09/01 |
| APP:NUKITA | 2005/09/09 |
| D | REV |

| | |
|--|-----------|
| 52991-***8 | MODEL NO. |
| GENERAL TOLERANCES (UNLESS SPECIFIED) | |
| 10 UNDER | ± --- |
| 10 OVER 30 UNDER | ± --- |
| 30 OVER | ± --- |
| ANGULAR | ± --- ° |
| DRAFT WHERE APPLICABLE MUST REMAIN WITHIN DIMENSIONS | |

| | |
|-----------------------------|-------------------|
| DIMENSION STYLE MM ONLY | |
| DRAWN BY T. YASUI | DATE '96/04/15 |
| CHECKED BY T. ITO | DATE '01/01/31 |
| APPROVED BY M. FUKUSHIMA | DATE '01/01/31 |
| MATERIAL NO. | |
| SIZE A3 | |

| | | |
|---|------------------------|------------------------|
| SCALE --- | DESIGN UNITS METRIC | THIRD ANGLE PROJECTION |
| TITLE 0.5 B/B CONN REC HSG ASSY EMBSTP PKG -LEAD FREE- | | |
| MOLEX INCORPORATED | | |
| DOCUMENT NO. SD-52991-005 | SHEET NO. 4 OF 6 | |
| THIS DRAWING CONTAINS INFORMATION THAT IS PROPRIETARY TO MOLEX INCORPORATED AND SHOULD NOT BE USED WITHOUT WRITTEN PERMISSION | | |

9

8

7

6

5

4

3

2

10 9 8 7 6 5 4 3 2 1

F

E

D

C

B

A

F

E

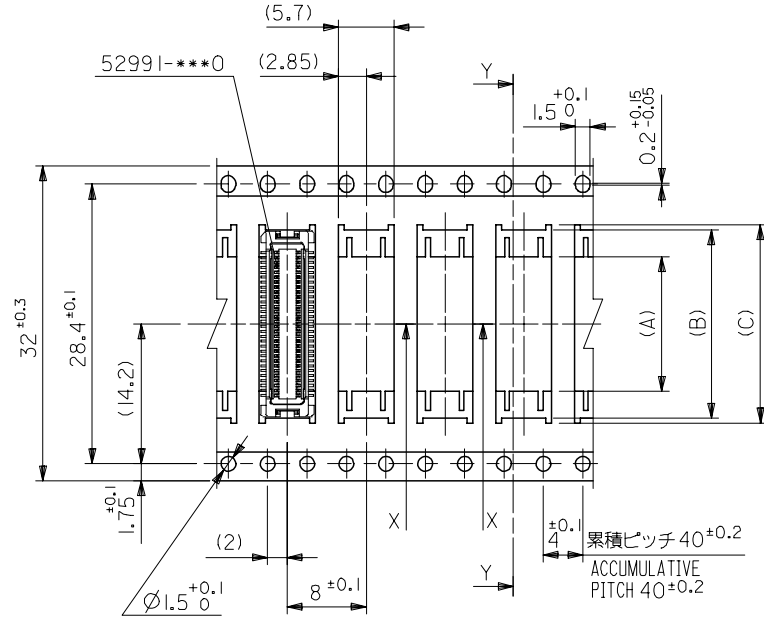
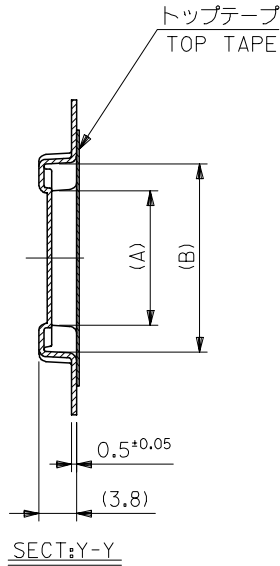
D

C

B

A

引き出し方向
PULL OUT DIRECTION



32mm幅キャリアテープ
32mm WIDTH CARRIER TAPE

| | | | | | | | |
|--------------------------------|------|------|------|------|------|--------------|------------|
| 32 | 37.4 | 33.4 | 20.1 | 19.1 | 13.7 | 52991-0608 | 60 |
| キャリアテープ幅 CARRIER TAPE WIDTH | E | D | (C) | (B) | (A) | MATERIAL NO. | 極数 CKT. |

| | | |
|---------|-------------------|------------|
| REVISED | EC NO: J2006-0604 | 2005/08/31 |
| | DRW:NAIDA | 2005/09/01 |
| | CHK:KTOYODA | 2005/09/01 |
| | APP:NUKITA | 2005/09/09 |
| D | | |

| | |
|--|-----------|
| 52991-***8 | MODEL NO. |
| GENERAL TOLERANCES (UNLESS SPECIFIED) | |
| 10 UNDER | ± --- |
| 10 OVER 30 UNDER | ± --- |
| 30 OVER | ± --- |
| ANGULAR | ± --- ° |
| DRAFT WHERE APPLICABLE MUST REMAIN WITHIN DIMENSIONS | |

| | |
|-----------------------------|-------------------|
| DIMENSION STYLE MM ONLY | |
| DRAWN BY S. AIHARA | DATE '96/04/01 |
| CHECKED BY T. ITO | DATE '01/01/31 |
| APPROVED BY M. FUKUSHIMA | DATE '01/01/31 |
| MATERIAL NO. SEE CHART | |
| SIZE A3 | |

| | | |
|---|------------------------|------------------------|
| SCALE --- | DESIGN UNITS METRIC | THIRD ANGLE PROJECTION |
| TITLE 0.5 B/B CONN REC HSG ASSY EMBSTP PKG -LEAD FREE- | | |
| MOLEX INCORPORATED | | |
| DOCUMENT NO. SD-52991-005 | SHEET NO. 5 OF 6 | |
| THIS DRAWING CONTAINS INFORMATION THAT IS PROPRIETARY TO MOLEX INCORPORATED AND SHOULD NOT BE USED WITHOUT WRITTEN PERMISSION | | |

9

8

7

6

5

4

3

2

10 9 8 7 6 5 4 3 2 1

F

E

D

C

B

A

F

E

D

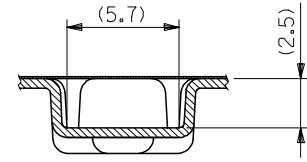
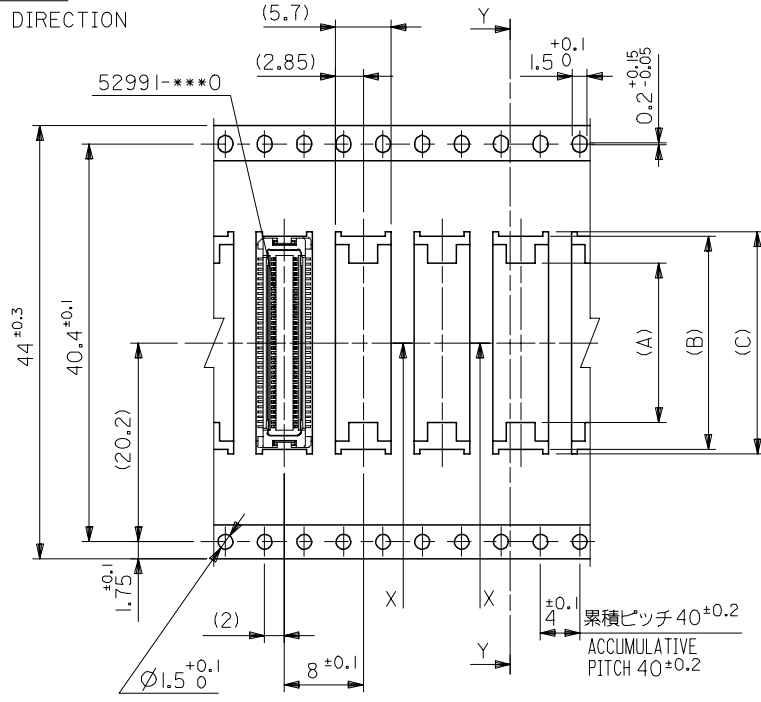
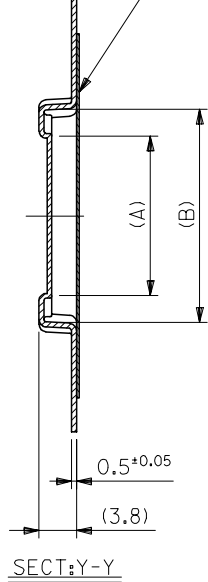
C

B

A

引き出し方向
PULL OUT DIRECTION

トップテープ
TOP TAPE



44mm幅キャリアテープ
44mm WIDTH CARRIER TAPE

| | | | | | | | |
|--------------------------------|------|------|------|------|------|--------------|------------|
| 44 | 49.4 | 45.4 | 25.1 | 24.1 | 18.7 | 52991-0808 | 80 |
| | | | 22.6 | 21.6 | 16.2 | 52991-0708 | 70 |
| キャリアテープ幅 CARRIER TAPE WIDTH | E | D | (C) | (B) | (A) | MATERIAL NO. | 極数 CKT. |

| | | | | | | | | |
|---|-------------|--|---------|-----------------|---|--|------------------------|--|
| REVISED EC NO: J2006-0604 DRW:NAIDA 2005/08/31 CHK:KTOYODA 2005/09/01 APP:NUKITA 2005/09/09 | DESCRIPTION | GENERAL TOLERANCES (UNLESS SPECIFIED) | | DIMENSION STYLE | SCALE | DESIGN UNITS | THIRD ANGLE PROJECTION | |
| | | 10 UNDER | ± --- | MM ONLY | --- | METRIC | ☉ | |
| | | 10 OVER 30 UNDER | ± --- | DRAWN BY | DATE | TITLE | | |
| | | 30 OVER | ± --- | T. YASUI | '96/04/15 | 0.5 B/B CONN REC HSG ASSY EMBSTP PKG -LEAD FREE- | | |
| | | ANGULAR | ± --- ° | APPROVED BY | DATE | MATERIAL NO. | DOCUMENT NO. | |
| | | DRAFT WHERE APPLICABLE MUST REMAIN WITHIN DIMENSIONS | | M. FUKUSHIMA | '01/01/31 | SEE CHART | SD-52991-005 | |
| | | | | SIZE | THIS DRAWING CONTAINS INFORMATION THAT IS PROPRIETARY TO MOLEX INCORPORATED AND SHOULD NOT BE USED WITHOUT WRITTEN PERMISSION | | SHEET NO. | |
| | | | | A3 | | | 6 OF 6 | |