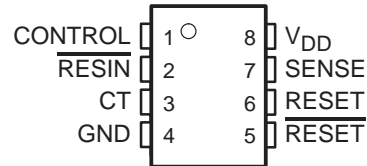


TLC7701, TLC7725, TLC7703, TLC7733, TLC7705 MICROPOWER SUPPLY VOLTAGE SUPERVISORS

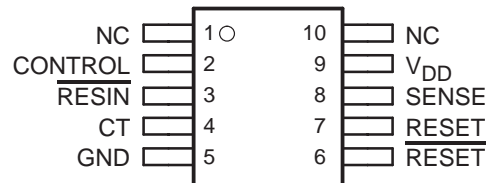
SLVS087L – DECEMBER 1994 – REVISED FEBRUARY 2003

- Power-On Reset Generator
- Automatic Reset Generation After Voltage Drop
- Precision Voltage Sensor
- Temperature-Compensated Voltage Reference
- Programmable Delay Time by External Capacitor
- Supply Voltage Range . . . 2 V to 6 V
- Defined $\overline{\text{RESET}}$ Output from $V_{DD} \geq 1$ V
- Power-Down Control Support for Static RAM With Battery Backup
- Maximum Supply Current of 16 μA
- Power Saving Totem-Pole Outputs
- Temperature Range . . . Up to -55°C to 125°C

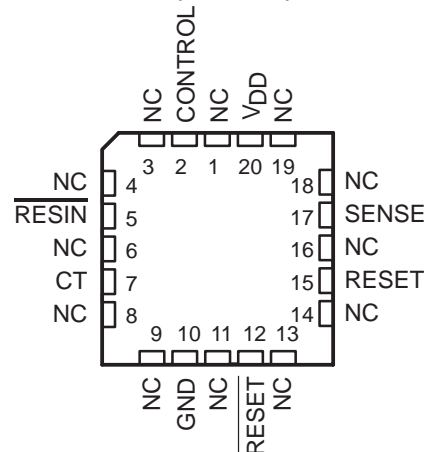
D, JG, P OR PW PACKAGE
(TOP VIEW)



U PACKAGE
(TOP VIEW)



FK PACKAGE
(TOP VIEW)



description

The TLC77xx family of micropower supply voltage supervisors provide reset control, primarily in microcomputer and microprocessor systems.

During power-on, $\overline{\text{RESET}}$ is asserted when V_{DD} reaches 1 V. After minimum V_{DD} (≥ 2 V) is established, the circuit monitors SENSE voltage and keeps the reset outputs active as long as SENSE voltage ($V_{I(\text{SENSE})}$) remains below the threshold voltage. An internal timer delays return of the output to the inactive state to ensure proper system reset. The delay time, t_d , is determined by an external capacitor:

$$t_d = 2.1 \times 10^4 \times C_T$$

Where

C_T is in farads

t_d is in seconds

Except for the TLC7701, which can be customized with two external resistors, each supervisor has a fixed SENSE threshold voltage set by an internal voltage divider. When SENSE voltage drops below the threshold voltage, the outputs become active and stay in that state until SENSE voltage returns above threshold voltage and the delay time, t_d , has expired.



Please be aware that an important notice concerning availability, standard warranty, and use in critical applications of Texas Instruments semiconductor products and disclaimers thereto appears at the end of this data sheet.

PRODUCTION DATA information is current as of publication date. Products conform to specifications per the terms of Texas Instruments standard warranty. Production processing does not necessarily include testing of all parameters.

 **TEXAS
INSTRUMENTS**

POST OFFICE BOX 655303 • DALLAS, TEXAS 75265

Copyright © 1994 – 2003, Texas Instruments Incorporated

TLC7701, TLC7725, TLC7703, TLC7733, TLC7705 MICROPOWER SUPPLY VOLTAGE SUPERVISORS

SLVS087L – DECEMBER 1994 – REVISED FEBRUARY 2003

description (continued)

In addition to the power-on-reset and undervoltage-supervisor function, the TLC77xx adds power-down control support for static RAM. When CONTROL is tied to GND, RESET will act as active high. The voltage monitor contains additional logic intended for control of static memories with battery backup during power failure. By driving the chip select (\overline{CS}) of the memory circuit with the RESET output of the TLC77xx and with the CONTROL driven by the memory bank select signal ($\overline{CSH1}$) of the microprocessor (see Figure 10), the memory circuit is automatically disabled during a power loss. (In this application the TLC77xx power has to be supplied by the battery.)

The TLC77xxI is characterized for operation over a temperature range of -40°C to 85°C ; the TLC77xxQ is characterized for operation over a temperature range of -40°C to 125°C ; and the TLC77xxM is characterized for operation over the full Military temperature range of -55°C to 125°C .

AVAILABLE OPTIONS

T _A	THRESHOLD VOLTAGE (V)	PACKAGED DEVICES					
		SMALL OUTLINE (D) [†]	CHIP CARRIER (FK)	CERAMIC DIP (JG)	CERAMIC DUAL FLATPACK (U)	PLASTIC DIP (P)	THIN SHRINK SMALL OUTLINE (PW) [‡]
-40°C to 85°C	1.1	TLC7701ID	—	—	—	TLC7701IP	TLC7701IPWR
	2.25	TLC7725ID	—	—	—	TLC7725IP	TLC7725IPWR
	2.63	TLC7703ID	—	—	—	TLC7703IP	TLC7703IPWR
	2.93	TLC7733ID	—	—	—	TLC7733IP	TLC7733IPWR
	4.55	TLC7705ID	—	—	—	TLC7705IP	TLC7705IPWR
-40°C to 125°C	1.1	TLC7701QD	—	—	—	TLC7701QP	TLC7701QPWR
	2.25	TLC7725QD	—	—	—	TLC7725QP	TLC7725QPWR
	2.63	TLC7703QD	—	—	—	TLC7703QP	TLC7703QPWR
	2.93	TLC7733QD	—	—	—	TLC7733QP	TLC7733QPWR
	4.55	TLC7705QD	—	—	—	TLC7705QP	TLC7705QPWR
-55°C to 125°C	2.93	—	TLC7733MFK	TLC7733MJG	—	—	—
	4.55	—	TLC7705MFK	TLC7705MJG	TLC7705MU	—	—

[†] The D package is available taped and reeled. Add the suffix R to the device type when ordering (e.g., TLC7705QDR).

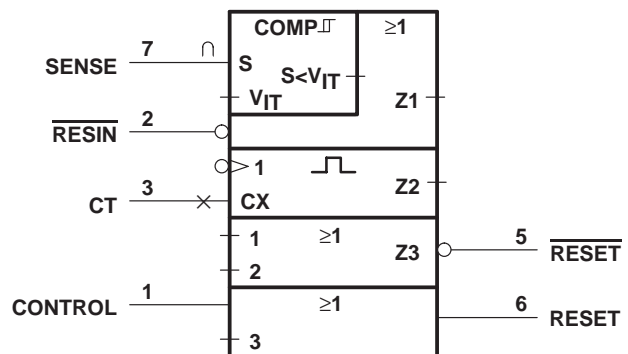
[‡] The PW package is only available left-end taped and reeled (indicated by the R suffix on the device type; e.g., TLC7705QPWR).

FUNCTION TABLE

CONTROL	\overline{RESIN}	$V_I(\text{SENSE}) > V_{IT+}$	RESET	\overline{RESET}
L	L	False	H	L
L	L	True	H	L
L	H	False	H	L
L	H	True	L \S	H \S
H	L	False	H	L
H	L	True	H	L
H	H	False	H	L
H	H	True	H	H \S

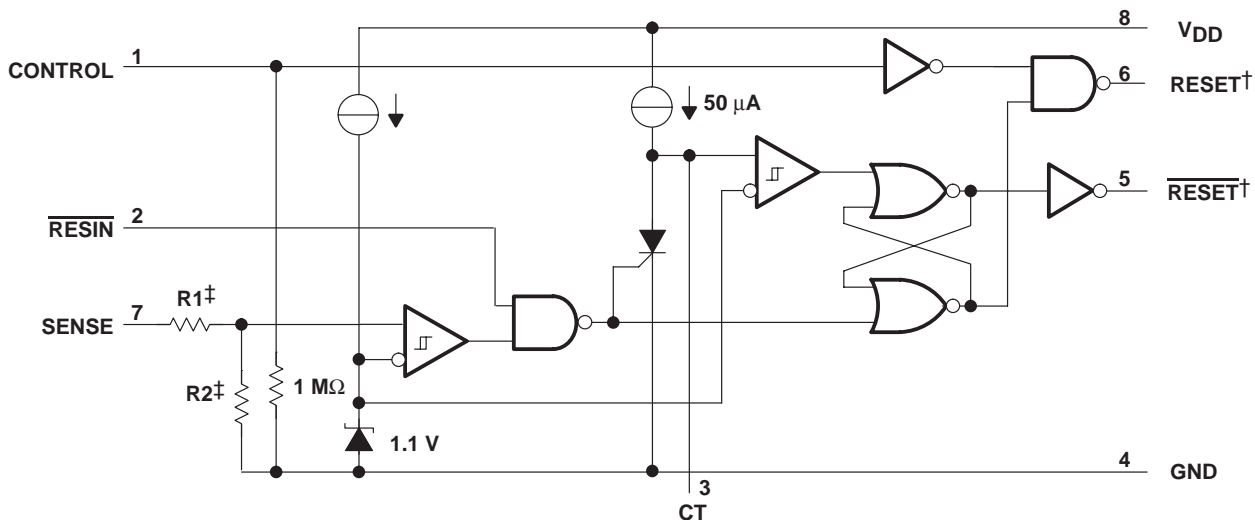
\S RESET and \overline{RESET} states shown are valid for $t > t_d$.

logic symbol[¶]



[¶] This symbol is in accordance with ANSI/IEEE Std 91-1984 and IEC Publication 617-12.

functional block diagram

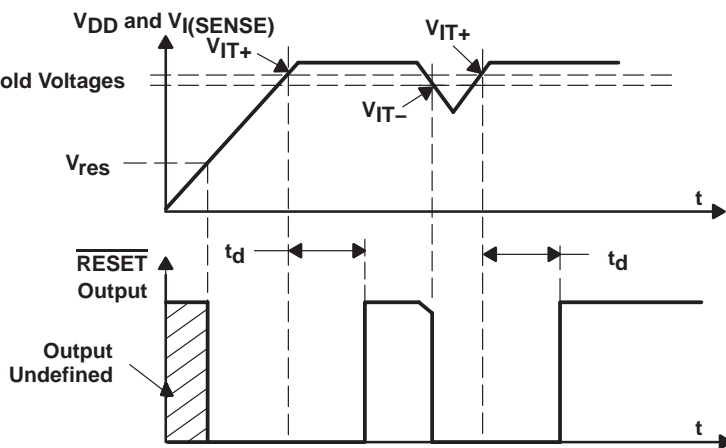


† Outputs are totem-pole configuration. External pullup or pulldown resistors are not required.

‡ Nominal values:

	R1 (Typ)	R2 (Typ)
TLC7701	0	∞
TLC7725	600 k Ω	600 k Ω
TLC7703	698 k Ω	502 k Ω
TLC7733	750 k Ω	450 k Ω
TLC7705	910 k Ω	290 k Ω

timing diagram



TLC7701, TLC7725, TLC7703, TLC7733, TLC7705 MICROPOWER SUPPLY VOLTAGE SUPERVISORS

SLVS087L – DECEMBER 1994 – REVISED FEBRUARY 2003

absolute maximum ratings over operating free-air temperature (unless otherwise noted)†

Supply voltage, V_{DD} (see Note 1)	7 V
Input voltage range, CONTROL, $\overline{\text{RESIN}}$, SENSE (see Note 1)	-0.3 V to 7 V
Maximum low output current, I_{OL}	10 mA
Maximum high output current, I_{OH}	-10 mA
Input clamp current, I_{IK} ($V_I < 0$ or $V_I > V_{DD}$)	± 10 mA
Output clamp current, I_{OK} ($V_O < 0$ or $V_O > V_{DD}$)	± 10 mA
Continuous total power dissipation	See Dissipation Rating Table
Operating free-air temperature range, T_A : TLC77xxI	-40°C to 85°C
TL77xxQ	-40°C to 125°C
TL77xxM	-55°C to 125°C
Storage temperature range, T_{stg}	-65°C to 150°C

† Stresses beyond those listed under “absolute maximum ratings” may cause permanent damage to the device. These are stress ratings only, and functional operation of the device at these or any other conditions beyond those indicated under “recommended operating conditions” is not implied. Exposure to absolute-maximum-rated conditions for extended periods may affect device reliability.

NOTE 1: All voltage values are with respect to GND.

DISSIPATION RATING TABLE

PACKAGE	$T_A \leq 25^\circ\text{C}$ POWER RATING	DERATING FACTOR ABOVE $T_A = 25^\circ\text{C}$	$T_A = 85^\circ\text{C}$ POWER RATING	$T_A = 125^\circ\text{C}$ POWER RATING
D	725 mW	5.8 mW/°C	377 mW	145 mW
FK	1375 mW	11.0 mW/°C	715 mW	275 mW
JG	1050 mW	8.4 mW/°C	546 mW	210 mW
P	1000 mW	8.0 mW/°C	520 mW	200 mW
PW	525 mW	4.2 mW/°C	273 mW	105 mW
U	700 mW	5.5 mW/°C	370 mW	150 mW

recommended operating conditions at specified temperature range

	MIN	MAX	UNIT	
Supply voltage, V_{DD}	2	6	V	
Input voltage, V_I	0	V_{DD}	V	
High-level input voltage at $\overline{\text{RESIN}}$ and CONTROL‡, V_{IH}	$0.7 \times V_{DD}$		V	
Low-level input voltage at $\overline{\text{RESIN}}$ and CONTROL‡, V_{IL}		$0.2 \times V_{DD}$	V	
High-level output current, I_{OH}		-2	mA	
Low-level output current, I_{OL}	$V_{DD} \geq 2.7$ V	2	mA	
Input transition rise and fall rate at $\overline{\text{RESIN}}$ and CONTROL, $\Delta t/\Delta V$		100	ns/V	
Operating free-air temperature range, T_A	TLC77xxI	-40	85	°C
	TLC77xxQ	-40	125	
Operating free-air temperature range, T_A	TLC77xxM	-55	125	°C

‡ To ensure a low supply current, V_{IL} should be kept < 0.3 V and $V_{IH} > V_{DD} - 0.3$ V.



TLC7701, TLC7725, TLC7703, TLC7733, TLC7705 MICROPOWER SUPPLY VOLTAGE SUPERVISORS

SLVS087L – DECEMBER 1994 – REVISED FEBRUARY 2003

electrical characteristics over recommended operating conditions (see Note 2) (unless otherwise noted)

PARAMETER		TEST CONDITIONS	TLC77xx			UNIT	
			MIN	TYP†	MAX		
V _{OH}	High-level output voltage	I _{OH} = -20 μA	V _{DD} = 2 V	1.8		V	
			V _{DD} = 2.7 V	2.5			
			V _{DD} = 4.5 V	4.3			
		I _{OH} = -2 mA	V _{DD} = 4.5 V	3.7			
V _{OL}	Low-level output voltage	I _{OL} = 20 μA	V _{DD} = 2 V	0.2		V	
			V _{DD} = 2.7 V	0.2			
			V _{DD} = 4.5 V	0.2			
		I _{OL} = 2 mA	V _{DD} = 4.5 V	0.5			
V _{IT-}	Negative-going input threshold voltage, SENSE (see Note 3)	TLC7701	V _{DD} = 2 V to 6 V	1.04	1.1	1.16	V
		TLC7725		2.18	2.25	2.32	
		TLC7703		2.56	2.63	2.70	
		TLC7733		2.86	2.93	3	
		TLC7705		4.47	4.55	4.63	
V _{hys}	Hysteresis voltage, SENSE	TLC7701	V _{DD} = 2 V to 6 V	30		mV	
		TLC7725	V _{DD} = 2 V to 6 V	70		mV	
		TLC7703,					
		TLC7733,					
		TLC7705					
V _{res}	Power-up reset voltage‡	I _{OL} = 20 μA			1	V	
I _I	Input current	RESIN	V _I = 0 V to V _{DD}			2	μA
		CONTROL	V _I = V _{DD}	7		15	
		SENSE	V _I = 5 V	5		10	
		SENSE, TLC7701 only	V _I = 5 V			2	
I _{DD}	Supply current	RESIN = V _{DD} , SENSE = V _{DD} ≥ V _{ITmax} + 0.2 V CONTROL = 0 V, Outputs open	9		16	μA	
I _{DD(d)}	Supply current during t _d	V _{DD} = 5 V, V _{CT} = 0, RESIN = V _{DD} , SENSE = V _{DD} , CONTROL = 0 V, Outputs open	120		150	μA	
C _I	Input capacitance, SENSE	V _I = 0 V to V _{DD}	50			pF	

† Typical values apply at T_A = 25°C.

‡ The lowest supply voltage at which RESET becomes active. The symbol V_{RES} is not currently listed within EIA or JEDEC standards for semiconductor symbology. Rise time of V_{DD} ≥ 15 μs/V.

NOTES: 2. All characteristics are measured with C_T = 0.1 μF.

3. To ensure best stability of the threshold voltage, a bypass capacitor (ceramic, 0.1 μF) should be connected near the supply terminals.



TLC7701, TLC7725, TLC7703, TLC7733, TLC7705 MICROPOWER SUPPLY VOLTAGE SUPERVISORS

SLVS087L – DECEMBER 1994 – REVISED FEBRUARY 2003

electrical characteristics over recommended operating conditions (see Note 2) (unless otherwise noted)

PARAMETER		TEST CONDITIONS		TLC77xxM			UNIT	
				MIN	TYP†	MAX		
V _{OH}	High-level output voltage	I _{OH} = -20 μA	V _{DD} = 2 V,	T _A = 25°C	1.8		V	
				T _A = -55°C to 125°C	1.7			
			V _{DD} = 2.7 V	T _A = 25°C	2.5			
				T _A = -55°C to 125°C	2.3			
			V _{DD} = 4.5 V	T _A = 25°C	4.3			
				T _A = -55°C to 125°C	4.2			
I _{OH} = -2 mA	V _{DD} = 4.5 V	T _A = 25°C	3.7					
		T _A = -55°C to 125°C	3.6					
V _{OL}	Low-level output voltage	I _{OL} = 20 μA	V _{DD} = 2 V	T _A = 25°C	0.2		V	
				T _A = -55°C to 125°C	0.2			
			V _{DD} = 2.7 V	T _A = 25°C	0.2			
				T _A = -55°C to 125°C	0.2			
			V _{DD} = 4.5 V	T _A = 25°C	0.2			
				T _A = -55°C to 125°C	0.2			
			I _{OL} = 2 mA	V _{DD} = 4.5 V	T _A = 25°C	0.5		
					T _A = -55°C to 125°C	0.5		
V _{IT-}	Negative-going input threshold voltage, SENSE (see Note 3)	TLC7733	V _{DD} = 2 V to 6 V	2.86	2.93	3.1	V	
		TLC7705		4.3	4.5	4.8		
V _{hys}	Hysteresis voltage, SENSE	V _{DD} = 2 V to 6 V	V _{DD} = 2 V to 6 V	70		mV		
V _{res}	Power-up reset voltage‡	I _{OL} = 20 μA		1		V		
I _I	Input current	RESIN	V _I = 0 V to V _{DD}	2		μA		
		CONTROL	V _I = V _{DD}	7	15			
		SENSE	V _I = 5 V	5	10			
		SENSE, TLC7701 only	V _I = 5 V	2				
I _{DD}	Supply current	RESIN = V _{DD} , SENSE = V _{DD} ≥ V _{ITmax} + 0.2 V CONTROL = 0 V, Outputs open		9	16	μA		
I _{DD(d)}	Supply current during t _d	TLC7733	V _{CT} = 0, RESIN = V _{DD} , CONTROL = 0 V,	V _{DD} = 3.3 V	250		μA	
		TLC7705	SENSE = V _{DD} , Outputs open	V _{DD} = 5 V	120	150		
C _I	Input capacitance, SENSE	V _I = 0 V to V _{DD}		50		pF		

† Typical values apply at T_A = 25°C.

‡ The lowest supply voltage at which RESIN becomes active. The symbol V_{res} is not currently listed within EIA or JEDEC standards for semiconductor symbology. Rise time of V_{DD} ≥ 15 μs/V.

NOTES: 2. All characteristics are measured with C_T = 0.1 μF.

3. To ensure best stability of the threshold voltage, a bypass capacitor (ceramic, 0.1 μF) should be placed near the supply terminals.



TLC7701, TLC7725, TLC7703, TLC7733, TLC7705 MICROPOWER SUPPLY VOLTAGE SUPERVISORS

SLVS087L – DECEMBER 1994 – REVISED FEBRUARY 2003

switching characteristics at $V_{DD} = 5\text{ V}$, $R_L = 2\text{ k}\Omega$, $C_L = 50\text{ pF}$, $T_A = 25^\circ\text{C}$ (unless otherwise noted)

PARAMETER	MEASURED		TEST CONDITIONS	TLC77xx			UNIT
	FROM (INPUT)	TO (OUTPUT)		MIN	TYP	MAX	
t_d Delay time	$V_{I(\text{SENSE})} \geq V_{IT+}$	RESET and RESET	$\overline{\text{RESIN}} = 0.7 \times V_{DD}$, CONTROL = $0.2 \times V_{DD}$, $C_T = 100\text{ nF}$, $T_A = \text{Full range}$, See timing diagram	1.1	2.1	4.2	ms
t_{PLH} Propagation delay time, low-to-high-level output	SENSE	$\overline{\text{RESET}}$	$V_{IH} = V_{IT+max} + 0.2\text{ V}$, $V_{IL} = V_{IT_min} - 0.2\text{ V}$, $\overline{\text{RESIN}} = 0.7 \times V_{DD}$, CONTROL = $0.2 \times V_{DD}$, $C_T = NCT^\dagger$			20	μs
t_{PHL} Propagation delay time, high-to-low-level output		$\overline{\text{RESET}}$				5	
t_{PLH} Propagation delay time, low-to-high-level output		RESET				5	
t_{PHL} Propagation delay time, high-to-low-level output		RESET				20	
t_{PLH} Propagation delay time, low-to-high-level output	$\overline{\text{RESIN}}$	$\overline{\text{RESET}}$	$V_{IH} = 0.7 \times V_{DD}$, $V_{IL} = 0.2 \times V_{DD}$, SENSE = $V_{IT+max} + 0.2\text{ V}$, CONTROL = $0.2 \times V_{DD}$, $C_T = NCT^\dagger$			20	μs
t_{PHL} Propagation delay time, high-to-low-level output		$\overline{\text{RESET}}$				40	
t_{PLH} Propagation delay time, low-to-high-level output		RESET					45
t_{PHL} Propagation delay time, high-to-low-level output		RESET					20
t_{PLH} Propagation delay time, low-to-high-level output	CONTROL	RESET	$V_{IH} = 0.7 \times V_{DD}$, $V_{IL} = 0.2 \times V_{DD}$, SENSE = $V_{IT+max} + 0.2\text{ V}$, $\overline{\text{RESIN}} = 0.7 \times V_{DD}$, $C_T = NCT^\dagger$			38	ns
t_{PHL} Propagation delay time, high-to-low-level output							38
Low-level minimum pulse duration to switch RESET and RESET	SENSE		$V_{IH} = V_{IT+max} + 0.2\text{ V}$, $V_{IL} = V_{IT_min} - 0.2\text{ V}$,	3			μs
	$\overline{\text{RESIN}}$		$V_{IL} = 0.2 \times V_{DD}$, $V_{IH} = 0.7 \times V_{DD}$	1			
t_r Rise time		RESET and RESET	10% to 90%		8		ns/V
t_f Fall time		RESET and RESET	90% to 10%		4		

† NC = No capacitor, and includes up to 100-pF probe and jig capacitance.

TLC7701, TLC7725, TLC7703, TLC7733, TLC7705 MICROPOWER SUPPLY VOLTAGE SUPERVISORS

SLVS087L – DECEMBER 1994 – REVISED FEBRUARY 2003

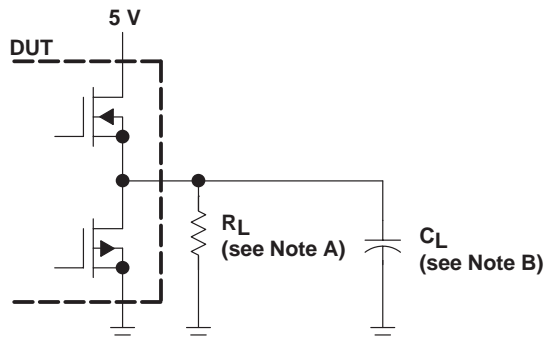
switching characteristics at $V_{DD} = 5\text{ V}$, $R_L = 2\text{ k}\Omega$, $C_L = 50\text{ pF}$

PARAMETER	MEASURED		TEST CONDITIONS	T_A	TLC77xxM			UNIT			
	FROM (INPUT)	TO (OUTPUT)			MIN	TYP	MAX				
t_d Delay time	$V_I(\text{SENSE}) \geq V_{IT+}$	RESET and RESET	RESIN = 2.7 V, CONTROL = 0.4 V, $C_T = 100\text{ nF}$, See timing diagram	Full range	1.1	2.1	4.2	ms			
t_{PLH} Propagation delay time, low-to-high-level output	SENSE	RESET	$V_{IH} = V_{IT+max} + 0.2\text{ V}$, $V_{IL} = V_{IT-min} - 0.2\text{ V}$, RESIN = 2.7 V, CONTROL = 0.4 V, $C_T = \text{NC}^\dagger$	25°C			20	μs			
		Full range				24					
		RESET		25°C			5	μs			
		Full range				7					
t_{PHL} Propagation delay time, high-to-low-level output	SENSE	RESET	$V_{IH} = V_{IT+max} + 0.2\text{ V}$, $V_{IL} = V_{IT-min} - 0.2\text{ V}$, RESIN = 2.7 V, CONTROL = 0.4 V, $C_T = \text{NC}^\dagger$	25°C			5	μs			
		Full range				7					
		RESET		25°C			20	μs			
		Full range				24					
t_{PLH} Propagation delay time, low-to-high-level output	RESIN	RESET	$V_{IH} = 2.7\text{ V}$, $V_{IL} = 0.4\text{ V}$, SENSE = $V_{IT+max} + 0.2\text{ V}$, CONTROL = 0.4 V, $C_T = \text{NC}^\dagger$	25°C			20	μs			
		Full range				24					
		RESET		25°C			45	ns			
		Full range				65					
t_{PHL} Propagation delay time, high-to-low-level output	RESIN	RESET	$V_{IH} = 2.7\text{ V}$, $V_{IL} = 0.4\text{ V}$, SENSE = $V_{IT+max} + 0.2\text{ V}$, CONTROL = 0.4 V, $C_T = \text{NC}^\dagger$	25°C			40	ns			
		Full range				60					
		RESET		25°C			20	μs			
		Full range				24					
t_{PLH} Propagation delay time, low-to-high-level output	CONTROL	RESET	$V_{IH} = 2.7\text{ V}$, $V_{IL} = 0.4\text{ V}$, SENSE = $V_{IT+max} + 0.2\text{ V}$, RESIN = 2.7 V, $C_T = \text{NC}^\dagger$	25°C			38	ns			
				Full range			58				
t_{PHL} Propagation delay time, high-to-low-level output				CONTROL	RESET	$V_{IH} = 2.7\text{ V}$, $V_{IL} = 0.4\text{ V}$, SENSE = $V_{IT+max} + 0.2\text{ V}$, RESIN = 2.7 V, $C_T = \text{NC}^\dagger$	25°C			38	ns
							Full range			58	
Low-level minimum pulse duration	SENSE		$V_{IH} = V_{IT+max} + 0.2\text{ V}$, $V_{IL} = V_{IT-min} - 0.2\text{ V}$, $V_{IL} = 0.4\text{ V}$, $V_{IH} = 2.7\text{ V}$	Full range	3			μs			
	RESIN				1						
t_r Rise time		RESET and RESET	10% to 90%	Full range	8			ns/V			
t_f Fall time			90% to 10%		4						

† NC = No capacitor, and includes up to 100-pF probe and jig capacitance.



PARAMETER MEASUREMENT INFORMATION



NOTES: A. For switching characteristics, $R_L = 2\text{ k}\Omega$.
B. $C_L = 50\text{ pF}$ includes jig and probe capacitance.

Figure 1. RESET AND $\overline{\text{RESET}}$ Output Configurations

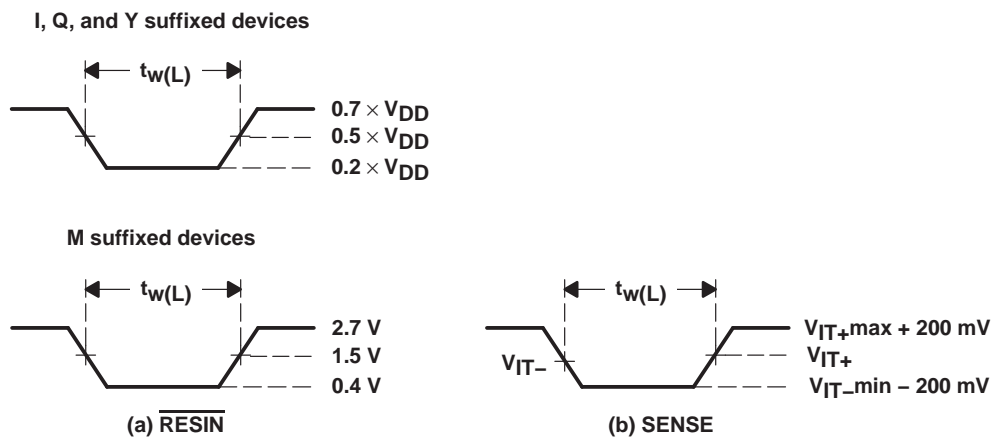


Figure 2. Input Pulse Definition Waveforms

TLC7701, TLC7725, TLC7703, TLC7733, TLC7705 MICROPOWER SUPPLY VOLTAGE SUPERVISORS

SLVS087L – DECEMBER 1994 – REVISED FEBRUARY 2003

TYPICAL CHARACTERISTICS

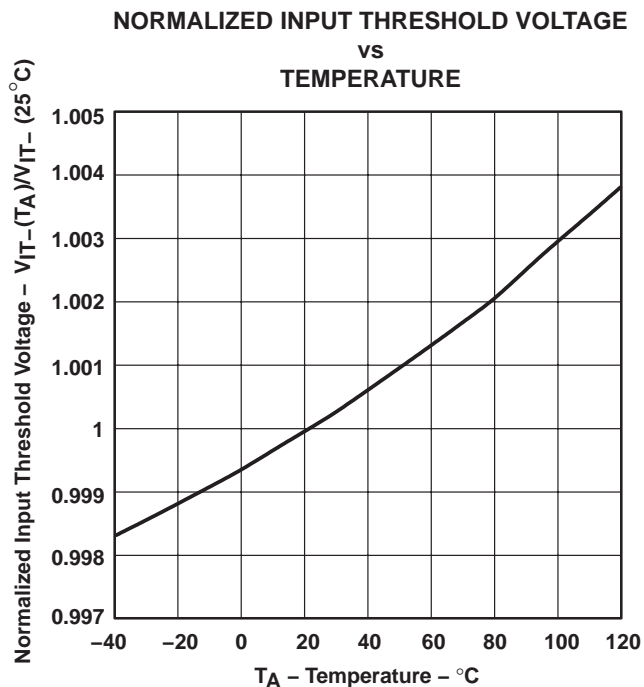


Figure 3

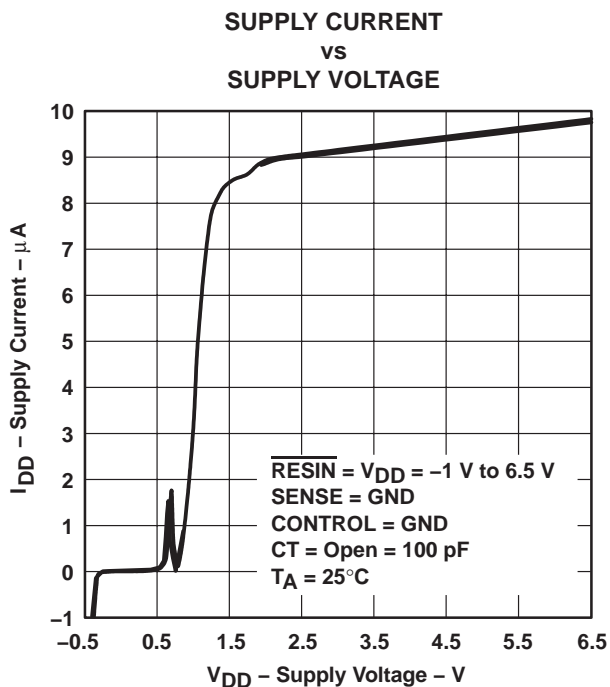


Figure 4

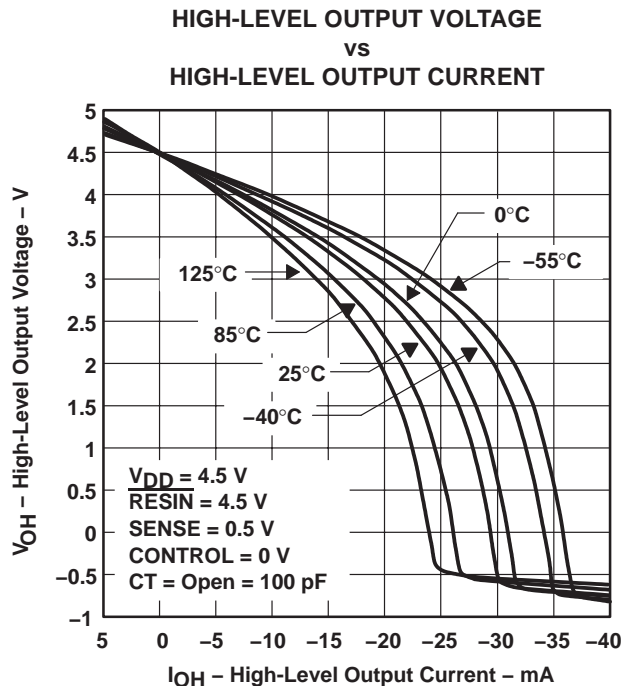


Figure 5

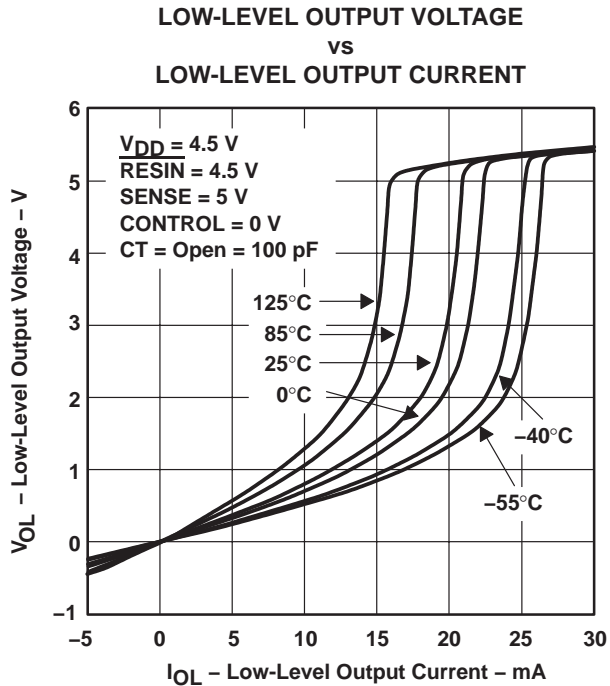
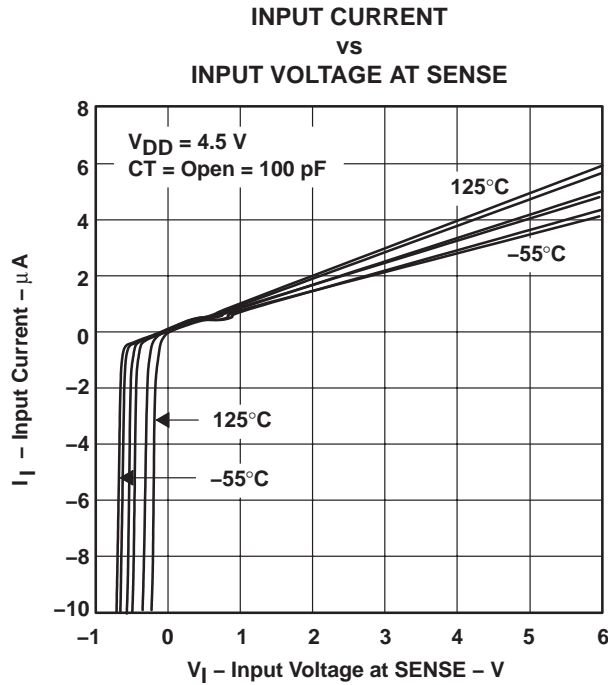


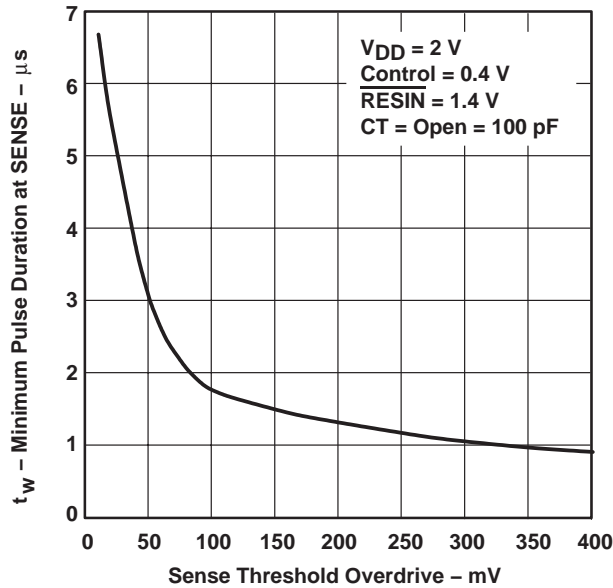
Figure 6



TYPICAL CHARACTERISTICS



MINIMUM PULSE DURATION AT SENSE
vs
SENSE THRESHOLD OVERDRIVE



TLC7701, TLC7725, TLC7703, TLC7733, TLC7705 MICROPOWER SUPPLY VOLTAGE SUPERVISORS

SLVS087L – DECEMBER 1994 – REVISED FEBRUARY 2003

APPLICATION INFORMATION

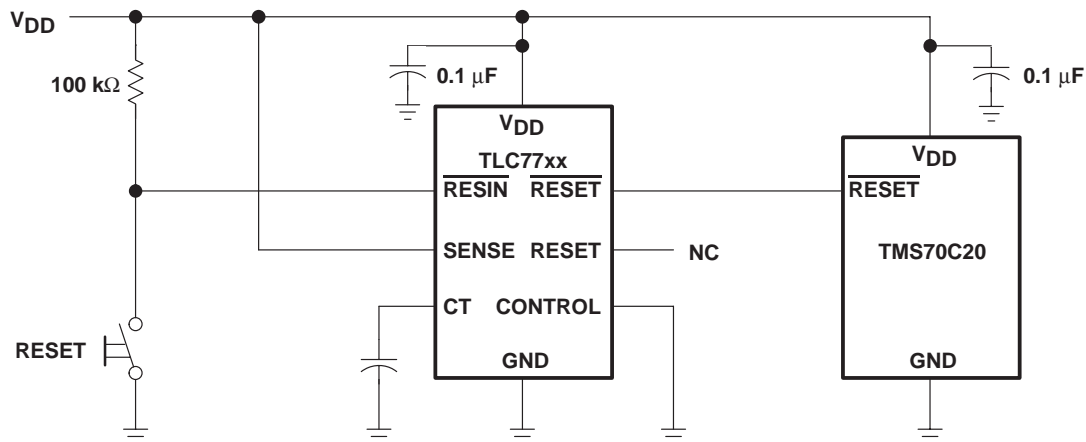


Figure 9. Reset Controller in a Microcomputer System

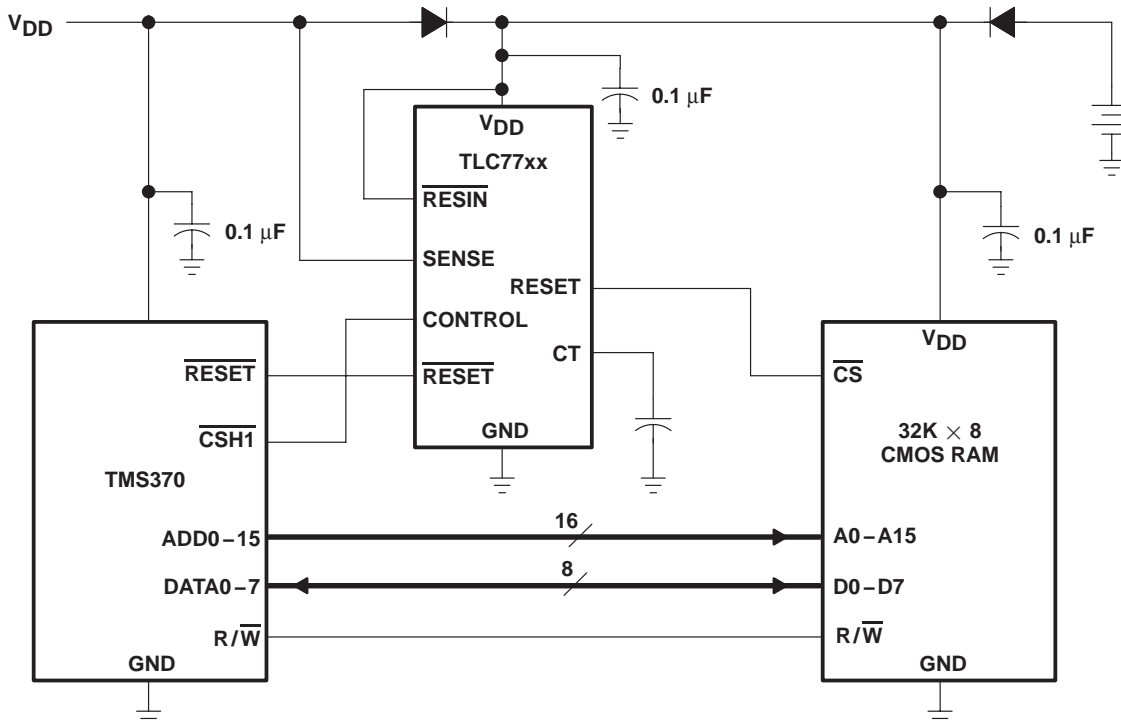


Figure 10. Data Retention During Power Down Using Static CMOS RAMs

TLC7701, TLC7725, TLC7703, TLC7733, TLC7705 MICROPOWER SUPPLY VOLTAGE SUPERVISORS

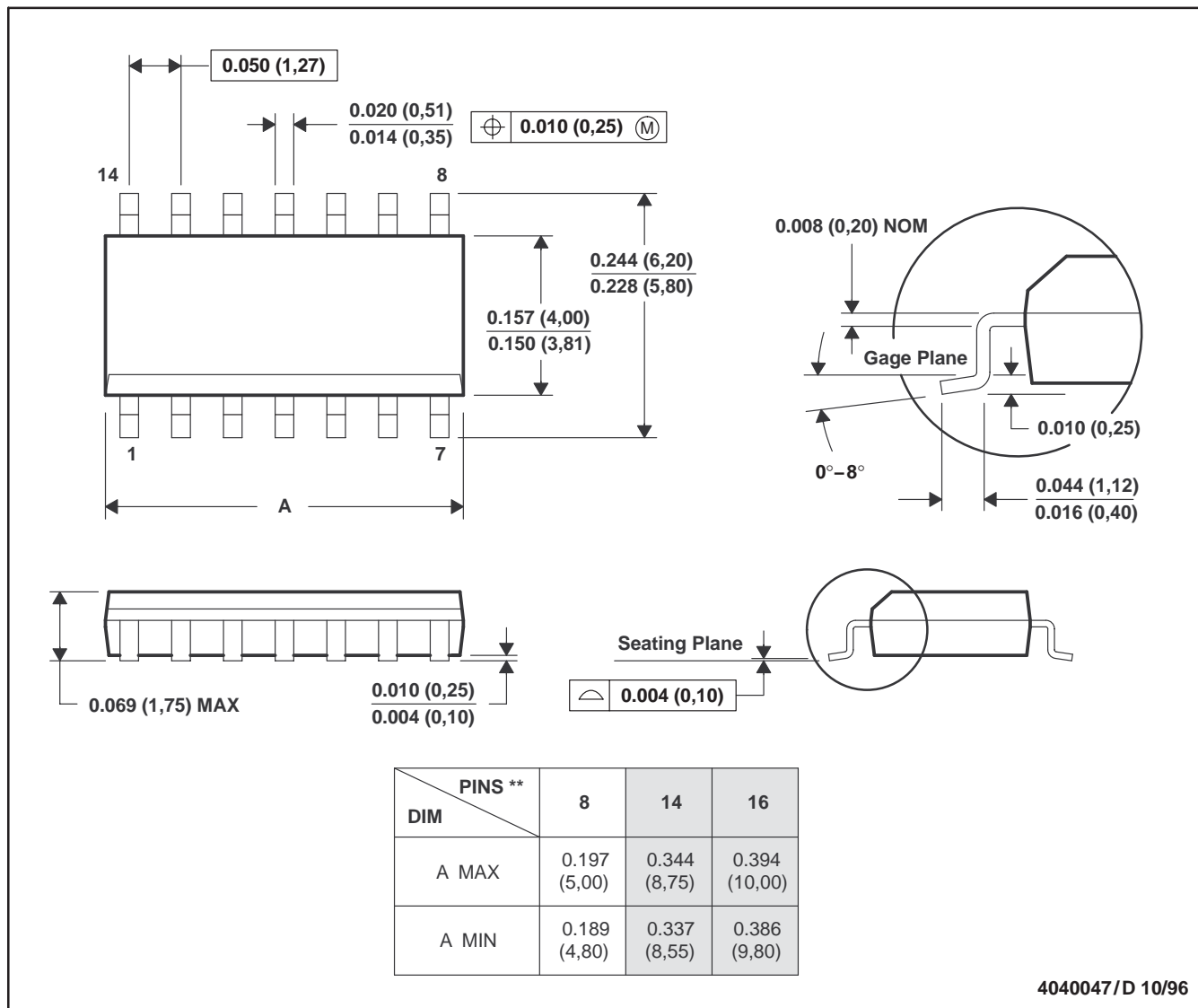
SLVS087L – DECEMBER 1994 – REVISED FEBRUARY 2003

MECHANICAL DATA

D (R-PDSO-G**)

PLASTIC SMALL-OUTLINE PACKAGE

14 PIN SHOWN



- NOTES: A. All linear dimensions are in inches (millimeters).
 B. This drawing is subject to change without notice.
 C. Body dimensions do not include mold flash or protrusion, not to exceed 0.006 (0,15).
 D. Falls within JEDEC MS-012

TLC7701, TLC7725, TLC7703, TLC7733, TLC7705 MICROPOWER SUPPLY VOLTAGE SUPERVISORS

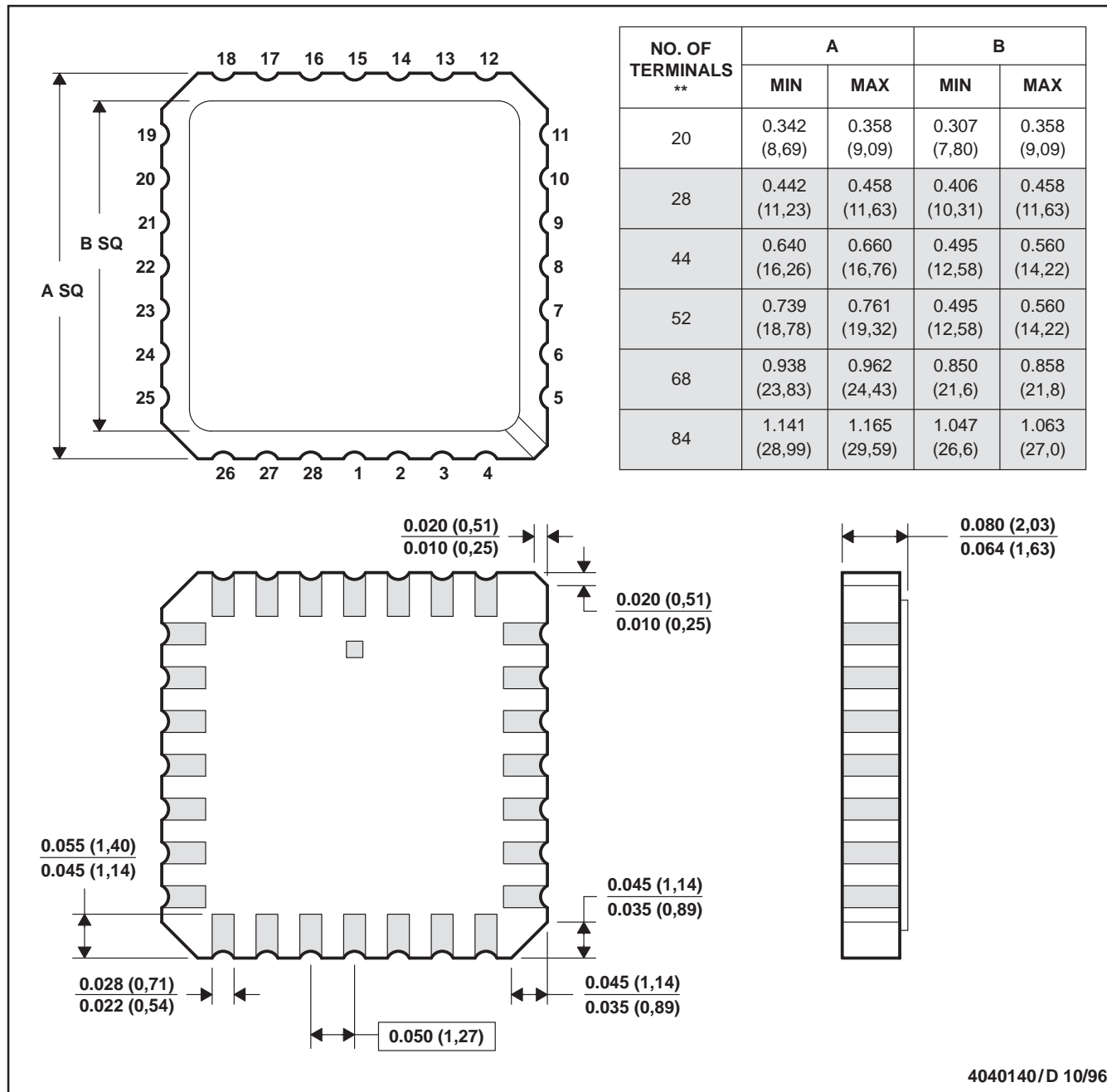
SLVS087L – DECEMBER 1994 – REVISED FEBRUARY 2003

MECHANICAL DATA

FK (S-CQCC-N**)

LEADLESS CERAMIC CHIP CARRIER

28 TERMINAL SHOWN



- NOTES: A. All linear dimensions are in inches (millimeters).
 B. This drawing is subject to change without notice.
 C. This package can be hermetically sealed with a metal lid.
 D. The terminals are gold plated.
 E. Falls within JEDEC MS-004



POST OFFICE BOX 655303 • DALLAS, TEXAS 75265

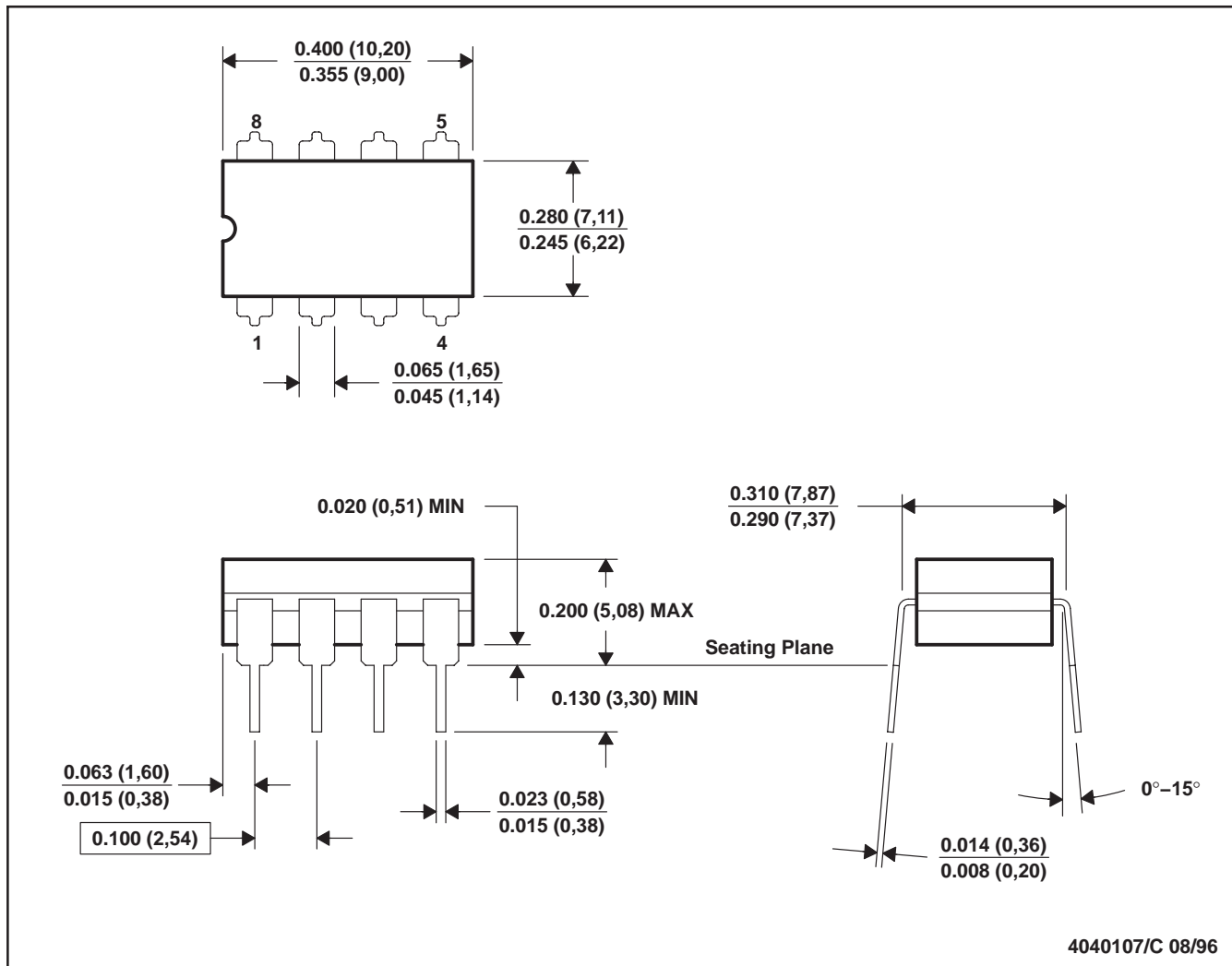
TLC7701, TLC7725, TLC7703, TLC7733, TLC7705 MICROPOWER SUPPLY VOLTAGE SUPERVISORS

SLVS087L – DECEMBER 1994 – REVISED FEBRUARY 2003

MECHANICAL DATA

JG (R-GDIP-T8)

CERAMIC DUAL-IN-LINE PACKAGE



- NOTES: A. All linear dimensions are in inches (millimeters).
 B. This drawing is subject to change without notice.
 C. This package can be hermetically sealed with a ceramic lid using glass frit.
 D. Index point is provided on cap for terminal identification only on press ceramic glass frit seal only.
 E. Falls within MIL-STD-1835 GDIP1-T8

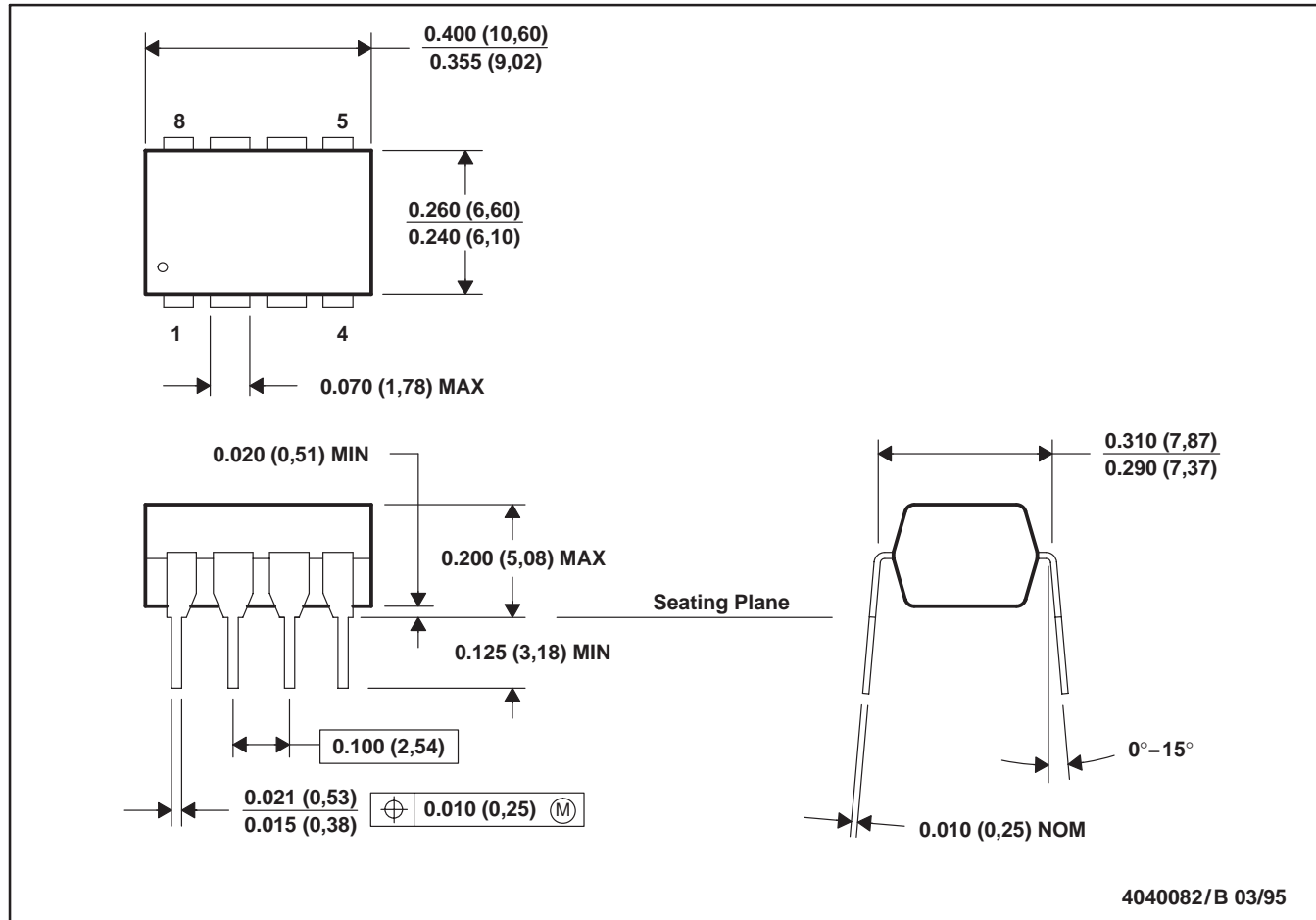
TLC7701, TLC7725, TLC7703, TLC7733, TLC7705 MICROPOWER SUPPLY VOLTAGE SUPERVISORS

SLVS087L – DECEMBER 1994 – REVISED FEBRUARY 2003

MECHANICAL DATA

P (R-PDIP-T8)

PLASTIC DUAL-IN-LINE PACKAGE



- NOTES: A. All linear dimensions are in inches (millimeters).
 B. This drawing is subject to change without notice.
 C. Falls within JEDEC MS-001

TLC7701, TLC7725, TLC7703, TLC7733, TLC7705 MICROPOWER SUPPLY VOLTAGE SUPERVISORS

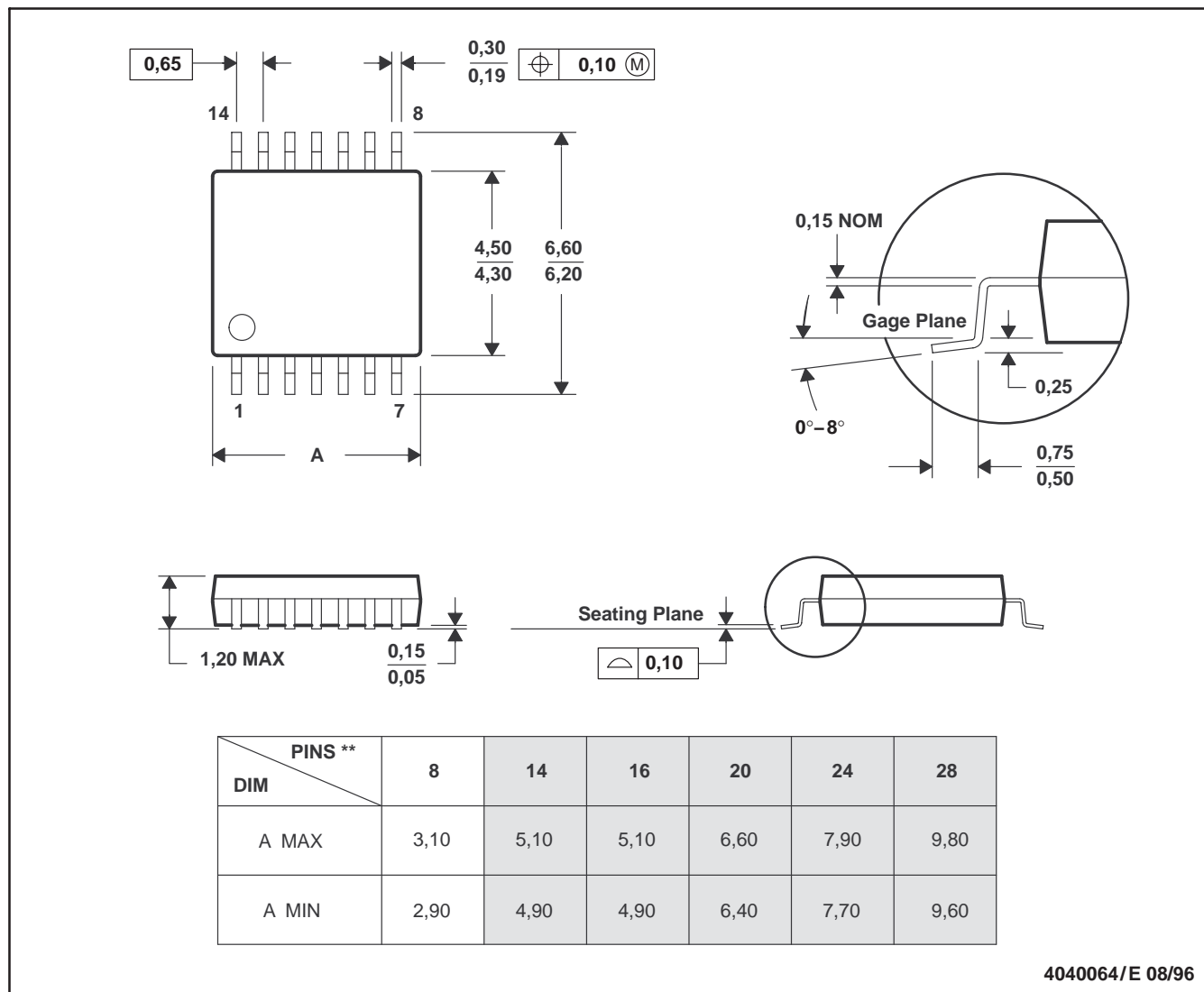
SLVS087L – DECEMBER 1994 – REVISED FEBRUARY 2003

MECHANICAL DATA

PW (R-PDSO-G**)

PLASTIC SMALL-OUTLINE PACKAGE

14 PIN SHOWN



4040064/E 08/96

- NOTES: A. All linear dimensions are in millimeters.
 B. This drawing is subject to change without notice.
 C. Body dimensions do not include mold flash or protrusion not to exceed 0,15.
 D. Falls within JEDEC MO-153

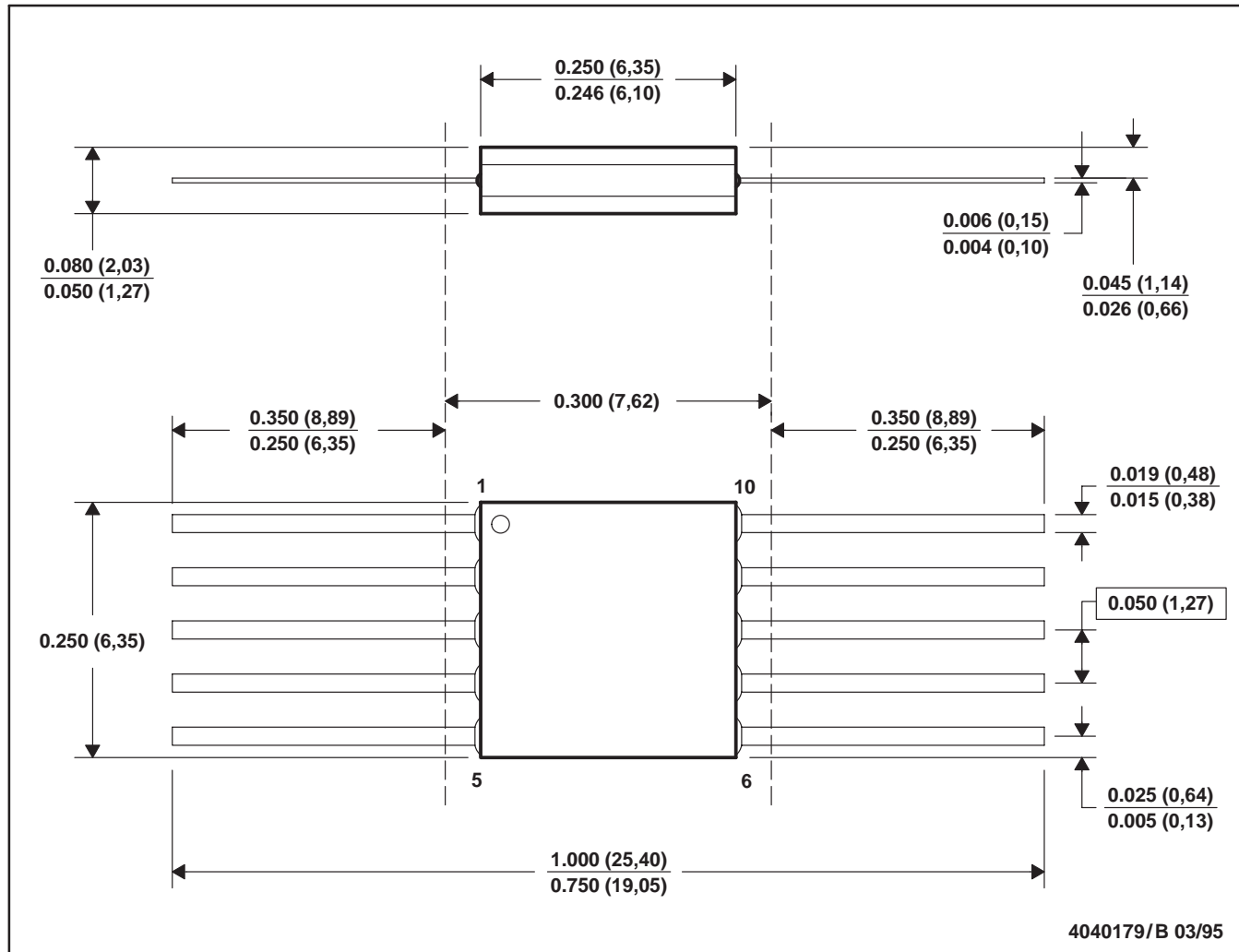
TLC7701, TLC7725, TLC7703, TLC7733, TLC7705 MICROPOWER SUPPLY VOLTAGE SUPERVISORS

SLVS087L – DECEMBER 1994 – REVISED FEBRUARY 2003

MECHANICAL DATA

U (S-GDFP-F10)

CERAMIC DUAL FLATPACK



- NOTES: A. All linear dimensions are in inches (millimeters).
 B. This drawing is subject to change without notice.
 C. This package can be hermetically sealed with a ceramic lid using glass frit.
 D. Index point is provided on cap for terminal identification only.
 E. Falls within MIL STD 1835 GDFP1-F10 and JEDEC MO-092AA

PACKAGING INFORMATION

Orderable Device	Status ⁽¹⁾	Package Type	Package Drawing	Pins	Package Qty	Eco Plan ⁽²⁾	Lead/Ball Finish	MSL Peak Temp ⁽³⁾
5962-9750901Q2A	ACTIVE	LCCC	FK	20	1	TBD	POST-PLATE	N / A for Pkg Type
5962-9750901QPA	ACTIVE	CDIP	JG	8	1	TBD	A42 SNPB	N / A for Pkg Type
5962-9751301Q2A	ACTIVE	LCCC	FK	20	1	TBD	POST-PLATE	N / A for Pkg Type
5962-9751301QHA	ACTIVE	CFP	U	10	1	TBD	A42 SNPB	N / A for Pkg Type
5962-9751301QPA	ACTIVE	CDIP	JG	8	1	TBD	A42 SNPB	N / A for Pkg Type
TLC7701ID	ACTIVE	SOIC	D	8	75	Green (RoHS & no Sb/Br)	CU NIPDAU	Level-1-260C-UNLIM
TLC7701IDG4	ACTIVE	SOIC	D	8	75	Green (RoHS & no Sb/Br)	CU NIPDAU	Level-1-260C-UNLIM
TLC7701IDR	ACTIVE	SOIC	D	8	2500	Green (RoHS & no Sb/Br)	CU NIPDAU	Level-1-260C-UNLIM
TLC7701IDRG4	ACTIVE	SOIC	D	8	2500	Green (RoHS & no Sb/Br)	CU NIPDAU	Level-1-260C-UNLIM
TLC7701IP	ACTIVE	PDIP	P	8	50	Pb-Free (RoHS)	CU NIPDAU	N / A for Pkg Type
TLC7701IPE4	ACTIVE	PDIP	P	8	50	Pb-Free (RoHS)	CU NIPDAU	N / A for Pkg Type
TLC7701IPW	ACTIVE	TSSOP	PW	8	150	Green (RoHS & no Sb/Br)	CU NIPDAU	Level-1-260C-UNLIM
TLC7701IPWG4	ACTIVE	TSSOP	PW	8	150	Green (RoHS & no Sb/Br)	CU NIPDAU	Level-1-260C-UNLIM
TLC7701IPWLE	OBSOLETE	TSSOP	PW	8		TBD	Call TI	Call TI
TLC7701IPWR	ACTIVE	TSSOP	PW	8	2000	Green (RoHS & no Sb/Br)	CU NIPDAU	Level-1-260C-UNLIM
TLC7701IPWRG4	ACTIVE	TSSOP	PW	8	2000	Green (RoHS & no Sb/Br)	CU NIPDAU	Level-1-260C-UNLIM
TLC7701QD	ACTIVE	SOIC	D	8	75	Green (RoHS & no Sb/Br)	CU NIPDAU	Level-1-260C-UNLIM
TLC7701QDG4	ACTIVE	SOIC	D	8	75	Green (RoHS & no Sb/Br)	CU NIPDAU	Level-1-260C-UNLIM
TLC7701QDR	ACTIVE	SOIC	D	8	2500	Green (RoHS & no Sb/Br)	CU NIPDAU	Level-1-260C-UNLIM
TLC7701QDRG4	ACTIVE	SOIC	D	8	2500	Green (RoHS & no Sb/Br)	CU NIPDAU	Level-1-260C-UNLIM
TLC7701QP	ACTIVE	PDIP	P	8	50	Pb-Free (RoHS)	CU NIPDAU	N / A for Pkg Type
TLC7701QPE4	ACTIVE	PDIP	P	8	50	Pb-Free (RoHS)	CU NIPDAU	N / A for Pkg Type
TLC7701QPW	ACTIVE	TSSOP	PW	8	150	Green (RoHS & no Sb/Br)	CU NIPDAU	Level-1-260C-UNLIM
TLC7701QPWG4	ACTIVE	TSSOP	PW	8	150	Green (RoHS & no Sb/Br)	CU NIPDAU	Level-1-260C-UNLIM
TLC7701QPWLE	PREVIEW	TSSOP	PW	8		TBD	Call TI	Call TI
TLC7701QPWR	ACTIVE	TSSOP	PW	8	2000	Green (RoHS & no Sb/Br)	CU NIPDAU	Level-1-260C-UNLIM
TLC7701QPWRG4	ACTIVE	TSSOP	PW	8	2000	Green (RoHS & no Sb/Br)	CU NIPDAU	Level-1-260C-UNLIM
TLC7703ID	ACTIVE	SOIC	D	8	75	Green (RoHS & no Sb/Br)	CU NIPDAU	Level-1-260C-UNLIM

Orderable Device	Status ⁽¹⁾	Package Type	Package Drawing	Pins	Package Qty	Eco Plan ⁽²⁾	Lead/Ball Finish	MSL Peak Temp ⁽³⁾
						no Sb/Br)		
TLC7703IDG4	ACTIVE	SOIC	D	8	75	Green (RoHS & no Sb/Br)	CU NIPDAU	Level-1-260C-UNLIM
TLC7703IDR	ACTIVE	SOIC	D	8	2500	Green (RoHS & no Sb/Br)	CU NIPDAU	Level-1-260C-UNLIM
TLC7703IDRG4	ACTIVE	SOIC	D	8	2500	Green (RoHS & no Sb/Br)	CU NIPDAU	Level-1-260C-UNLIM
TLC7703IP	ACTIVE	PDIP	P	8	50	Pb-Free (RoHS)	CU NIPDAU	N / A for Pkg Type
TLC7703IPE4	ACTIVE	PDIP	P	8	50	Pb-Free (RoHS)	CU NIPDAU	N / A for Pkg Type
TLC7703IPW	ACTIVE	TSSOP	PW	8	150	Green (RoHS & no Sb/Br)	CU NIPDAU	Level-1-260C-UNLIM
TLC7703IPWG4	ACTIVE	TSSOP	PW	8	150	Green (RoHS & no Sb/Br)	CU NIPDAU	Level-1-260C-UNLIM
TLC7703IPWLE	OBSOLETE	TSSOP	PW	8		TBD	Call TI	Call TI
TLC7703IPWR	ACTIVE	TSSOP	PW	8	2000	Green (RoHS & no Sb/Br)	CU NIPDAU	Level-1-260C-UNLIM
TLC7703IPWRG4	ACTIVE	TSSOP	PW	8	2000	Green (RoHS & no Sb/Br)	CU NIPDAU	Level-1-260C-UNLIM
TLC7703QD	ACTIVE	SOIC	D	8	75	Green (RoHS & no Sb/Br)	CU NIPDAU	Level-1-260C-UNLIM
TLC7703QDG4	ACTIVE	SOIC	D	8	75	Green (RoHS & no Sb/Br)	CU NIPDAU	Level-1-260C-UNLIM
TLC7703QDRG4	ACTIVE	SOIC	D	8		TBD	Call TI	Call TI
TLC7703QP	ACTIVE	PDIP	P	8	50	Pb-Free (RoHS)	CU NIPDAU	N / A for Pkg Type
TLC7703QPE4	ACTIVE	PDIP	P	8	50	Pb-Free (RoHS)	CU NIPDAU	N / A for Pkg Type
TLC7703QPW	ACTIVE	TSSOP	PW	8	150	Green (RoHS & no Sb/Br)	CU NIPDAU	Level-1-260C-UNLIM
TLC7703QPWG4	ACTIVE	TSSOP	PW	8	150	Green (RoHS & no Sb/Br)	CU NIPDAU	Level-1-260C-UNLIM
TLC7703QPWRG4	ACTIVE	TSSOP	PW	8		TBD	Call TI	Call TI
TLC7705ID	ACTIVE	SOIC	D	8	75	Green (RoHS & no Sb/Br)	CU NIPDAU	Level-1-260C-UNLIM
TLC7705IDG4	ACTIVE	SOIC	D	8	75	Green (RoHS & no Sb/Br)	CU NIPDAU	Level-1-260C-UNLIM
TLC7705IDR	ACTIVE	SOIC	D	8	2500	Green (RoHS & no Sb/Br)	CU NIPDAU	Level-1-260C-UNLIM
TLC7705IDRG4	ACTIVE	SOIC	D	8	2500	Green (RoHS & no Sb/Br)	CU NIPDAU	Level-1-260C-UNLIM
TLC7705IP	ACTIVE	PDIP	P	8	50	Pb-Free (RoHS)	CU NIPDAU	N / A for Pkg Type
TLC7705IPE4	ACTIVE	PDIP	P	8	50	Pb-Free (RoHS)	CU NIPDAU	N / A for Pkg Type
TLC7705IPW	ACTIVE	TSSOP	PW	8	150	Green (RoHS & no Sb/Br)	CU NIPDAU	Level-1-260C-UNLIM
TLC7705IPWG4	ACTIVE	TSSOP	PW	8	150	Green (RoHS & no Sb/Br)	CU NIPDAU	Level-1-260C-UNLIM
TLC7705IPWLE	OBSOLETE	TSSOP	PW	8		TBD	Call TI	Call TI

Orderable Device	Status ⁽¹⁾	Package Type	Package Drawing	Pins	Package Qty	Eco Plan ⁽²⁾	Lead/Ball Finish	MSL Peak Temp ⁽³⁾
TLC7705IPWR	ACTIVE	TSSOP	PW	8	2000	Green (RoHS & no Sb/Br)	CU NIPDAU	Level-1-260C-UNLIM
TLC7705IPWRG4	ACTIVE	TSSOP	PW	8	2000	Green (RoHS & no Sb/Br)	CU NIPDAU	Level-1-260C-UNLIM
TLC7705MFKB	ACTIVE	LCCC	FK	20	1	TBD	POST-PLATE	N / A for Pkg Type
TLC7705MJG	ACTIVE	CDIP	JG	8	1	TBD	A42 SNPB	N / A for Pkg Type
TLC7705MJGB	ACTIVE	CDIP	JG	8	1	TBD	A42 SNPB	N / A for Pkg Type
TLC7705MUB	ACTIVE	CFP	U	10	1	TBD	A42 SNPB	N / A for Pkg Type
TLC7705QD	ACTIVE	SOIC	D	8	75	Green (RoHS & no Sb/Br)	CU NIPDAU	Level-1-260C-UNLIM
TLC7705QDG4	ACTIVE	SOIC	D	8	75	Green (RoHS & no Sb/Br)	CU NIPDAU	Level-1-260C-UNLIM
TLC7705QDR	ACTIVE	SOIC	D	8	2500	Green (RoHS & no Sb/Br)	CU NIPDAU	Level-1-260C-UNLIM
TLC7705QDRG4	ACTIVE	SOIC	D	8	2500	Green (RoHS & no Sb/Br)	CU NIPDAU	Level-1-260C-UNLIM
TLC7705QP	ACTIVE	PDIP	P	8	50	Pb-Free (RoHS)	CU NIPDAU	N / A for Pkg Type
TLC7705QPE4	ACTIVE	PDIP	P	8	50	Pb-Free (RoHS)	CU NIPDAU	N / A for Pkg Type
TLC7705QPW	ACTIVE	TSSOP	PW	8	150	Green (RoHS & no Sb/Br)	CU NIPDAU	Level-1-260C-UNLIM
TLC7705QPWG4	ACTIVE	TSSOP	PW	8	150	Green (RoHS & no Sb/Br)	CU NIPDAU	Level-1-260C-UNLIM
TLC7705QPWLE	OBSOLETE	TSSOP	PW	8		TBD	Call TI	Call TI
TLC7705QPWR	ACTIVE	TSSOP	PW	8	2000	Green (RoHS & no Sb/Br)	CU NIPDAU	Level-1-260C-UNLIM
TLC7705QPWRG4	ACTIVE	TSSOP	PW	8	2000	Green (RoHS & no Sb/Br)	CU NIPDAU	Level-1-260C-UNLIM
TLC7725ID	ACTIVE	SOIC	D	8	75	Green (RoHS & no Sb/Br)	CU NIPDAU	Level-1-260C-UNLIM
TLC7725IDG4	ACTIVE	SOIC	D	8	75	Green (RoHS & no Sb/Br)	CU NIPDAU	Level-1-260C-UNLIM
TLC7725IDR	ACTIVE	SOIC	D	8	2500	Green (RoHS & no Sb/Br)	CU NIPDAU	Level-1-260C-UNLIM
TLC7725IDRG4	ACTIVE	SOIC	D	8	2500	Green (RoHS & no Sb/Br)	CU NIPDAU	Level-1-260C-UNLIM
TLC7725IP	ACTIVE	PDIP	P	8	50	Pb-Free (RoHS)	CU NIPDAU	N / A for Pkg Type
TLC7725IPE4	ACTIVE	PDIP	P	8	50	Pb-Free (RoHS)	CU NIPDAU	N / A for Pkg Type
TLC7725IPW	ACTIVE	TSSOP	PW	8	150	Green (RoHS & no Sb/Br)	CU NIPDAU	Level-1-260C-UNLIM
TLC7725IPWG4	ACTIVE	TSSOP	PW	8	150	Green (RoHS & no Sb/Br)	CU NIPDAU	Level-1-260C-UNLIM
TLC7725IPWLE	OBSOLETE	TSSOP	PW	8		TBD	Call TI	Call TI
TLC7725IPWR	ACTIVE	TSSOP	PW	8	2000	Green (RoHS & no Sb/Br)	CU NIPDAU	Level-1-260C-UNLIM
TLC7725IPWRG4	ACTIVE	TSSOP	PW	8	2000	Green (RoHS & no Sb/Br)	CU NIPDAU	Level-1-260C-UNLIM

Orderable Device	Status ⁽¹⁾	Package Type	Package Drawing	Pins	Package Qty	Eco Plan ⁽²⁾	Lead/Ball Finish	MSL Peak Temp ⁽³⁾
TLC7725QD	ACTIVE	SOIC	D	8	75	Green (RoHS & no Sb/Br)	CU NIPDAU	Level-1-260C-UNLIM
TLC7725QDG4	ACTIVE	SOIC	D	8	75	Green (RoHS & no Sb/Br)	CU NIPDAU	Level-1-260C-UNLIM
TLC7725QDR	ACTIVE	SOIC	D	8	2500	Green (RoHS & no Sb/Br)	CU NIPDAU	Level-1-260C-UNLIM
TLC7725QDRG4	ACTIVE	SOIC	D	8	2500	Green (RoHS & no Sb/Br)	CU NIPDAU	Level-1-260C-UNLIM
TLC7725QP	ACTIVE	PDIP	P	8	50	Pb-Free (RoHS)	CU NIPDAU	N / A for Pkg Type
TLC7725QPE4	ACTIVE	PDIP	P	8	50	Pb-Free (RoHS)	CU NIPDAU	N / A for Pkg Type
TLC7725QPWG4	ACTIVE	TSSOP	PW	8		TBD	Call TI	Call TI
TLC7725QPWLE	OBSOLETE	TSSOP	PW	8		TBD	Call TI	Call TI
TLC7725QPWR	ACTIVE	TSSOP	PW	8	2000	Green (RoHS & no Sb/Br)	CU NIPDAU	Level-1-260C-UNLIM
TLC7725QPWRG4	ACTIVE	TSSOP	PW	8	2000	Green (RoHS & no Sb/Br)	CU NIPDAU	Level-1-260C-UNLIM
TLC7733ID	ACTIVE	SOIC	D	8	75	Green (RoHS & no Sb/Br)	CU NIPDAU	Level-1-260C-UNLIM
TLC7733IDG4	ACTIVE	SOIC	D	8	75	Green (RoHS & no Sb/Br)	CU NIPDAU	Level-1-260C-UNLIM
TLC7733IDR	ACTIVE	SOIC	D	8	2500	Green (RoHS & no Sb/Br)	CU NIPDAU	Level-1-260C-UNLIM
TLC7733IDRG4	ACTIVE	SOIC	D	8	2500	Green (RoHS & no Sb/Br)	CU NIPDAU	Level-1-260C-UNLIM
TLC7733IP	ACTIVE	PDIP	P	8	50	Pb-Free (RoHS)	CU NIPDAU	N / A for Pkg Type
TLC7733IPE4	ACTIVE	PDIP	P	8	50	Pb-Free (RoHS)	CU NIPDAU	N / A for Pkg Type
TLC7733IPW	ACTIVE	TSSOP	PW	8	150	Green (RoHS & no Sb/Br)	CU NIPDAU	Level-1-260C-UNLIM
TLC7733IPWG4	ACTIVE	TSSOP	PW	8	150	Green (RoHS & no Sb/Br)	CU NIPDAU	Level-1-260C-UNLIM
TLC7733IPWR	ACTIVE	TSSOP	PW	8	2000	Green (RoHS & no Sb/Br)	CU NIPDAU	Level-1-260C-UNLIM
TLC7733IPWRG4	ACTIVE	TSSOP	PW	8	2000	Green (RoHS & no Sb/Br)	CU NIPDAU	Level-1-260C-UNLIM
TLC7733MFKB	ACTIVE	LCCC	FK	20	1	TBD	POST-PLATE	N / A for Pkg Type
TLC7733MJG	ACTIVE	CDIP	JG	8	1	TBD	A42 SNPB	N / A for Pkg Type
TLC7733MJGB	ACTIVE	CDIP	JG	8	1	TBD	A42 SNPB	N / A for Pkg Type
TLC7733QD	ACTIVE	SOIC	D	8	75	Green (RoHS & no Sb/Br)	CU NIPDAU	Level-1-260C-UNLIM
TLC7733QDG4	ACTIVE	SOIC	D	8	75	Green (RoHS & no Sb/Br)	CU NIPDAU	Level-1-260C-UNLIM
TLC7733QDR	ACTIVE	SOIC	D	8	2500	Green (RoHS & no Sb/Br)	CU NIPDAU	Level-1-260C-UNLIM
TLC7733QDRG4	ACTIVE	SOIC	D	8	2500	Green (RoHS & no Sb/Br)	CU NIPDAU	Level-1-260C-UNLIM
TLC7733QP	ACTIVE	PDIP	P	8	50	Pb-Free (RoHS)	CU NIPDAU	N / A for Pkg Type

Orderable Device	Status ⁽¹⁾	Package Type	Package Drawing	Pins	Package Qty	Eco Plan ⁽²⁾	Lead/Ball Finish	MSL Peak Temp ⁽³⁾
TLC7733QPE4	ACTIVE	PDIP	P	8	50	Pb-Free (RoHS)	CU NIPDAU	N / A for Pkg Type
TLC7733QPW	ACTIVE	TSSOP	PW	8	150	Green (RoHS & no Sb/Br)	CU NIPDAU	Level-1-260C-UNLIM
TLC7733QPWG4	ACTIVE	TSSOP	PW	8	150	Green (RoHS & no Sb/Br)	CU NIPDAU	Level-1-260C-UNLIM
TLC7733QPWR	ACTIVE	TSSOP	PW	8	2000	Green (RoHS & no Sb/Br)	CU NIPDAU	Level-1-260C-UNLIM
TLC7733QPWRG4	ACTIVE	TSSOP	PW	8	2000	Green (RoHS & no Sb/Br)	CU NIPDAU	Level-1-260C-UNLIM

⁽¹⁾ The marketing status values are defined as follows:

ACTIVE: Product device recommended for new designs.

LIFEBUY: TI has announced that the device will be discontinued, and a lifetime-buy period is in effect.

NRND: Not recommended for new designs. Device is in production to support existing customers, but TI does not recommend using this part in a new design.

PREVIEW: Device has been announced but is not in production. Samples may or may not be available.

OBSELETE: TI has discontinued the production of the device.

⁽²⁾ Eco Plan - The planned eco-friendly classification: Pb-Free (RoHS), Pb-Free (RoHS Exempt), or Green (RoHS & no Sb/Br) - please check <http://www.ti.com/productcontent> for the latest availability information and additional product content details.

TBD: The Pb-Free/Green conversion plan has not been defined.

Pb-Free (RoHS): TI's terms "Lead-Free" or "Pb-Free" mean semiconductor products that are compatible with the current RoHS requirements for all 6 substances, including the requirement that lead not exceed 0.1% by weight in homogeneous materials. Where designed to be soldered at high temperatures, TI Pb-Free products are suitable for use in specified lead-free processes.

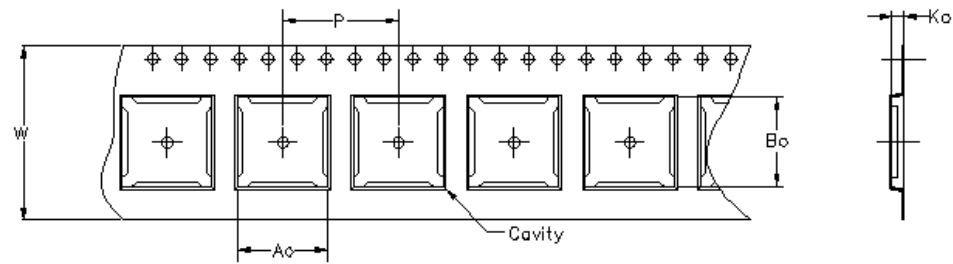
Pb-Free (RoHS Exempt): This component has a RoHS exemption for either 1) lead-based flip-chip solder bumps used between the die and package, or 2) lead-based die adhesive used between the die and leadframe. The component is otherwise considered Pb-Free (RoHS compatible) as defined above.

Green (RoHS & no Sb/Br): TI defines "Green" to mean Pb-Free (RoHS compatible), and free of Bromine (Br) and Antimony (Sb) based flame retardants (Br or Sb do not exceed 0.1% by weight in homogeneous material)

⁽³⁾ MSL, Peak Temp. -- The Moisture Sensitivity Level rating according to the JEDEC industry standard classifications, and peak solder temperature.

Important Information and Disclaimer:The information provided on this page represents TI's knowledge and belief as of the date that it is provided. TI bases its knowledge and belief on information provided by third parties, and makes no representation or warranty as to the accuracy of such information. Efforts are underway to better integrate information from third parties. TI has taken and continues to take reasonable steps to provide representative and accurate information but may not have conducted destructive testing or chemical analysis on incoming materials and chemicals. TI and TI suppliers consider certain information to be proprietary, and thus CAS numbers and other limited information may not be available for release.

In no event shall TI's liability arising out of such information exceed the total purchase price of the TI part(s) at issue in this document sold by TI to Customer on an annual basis.



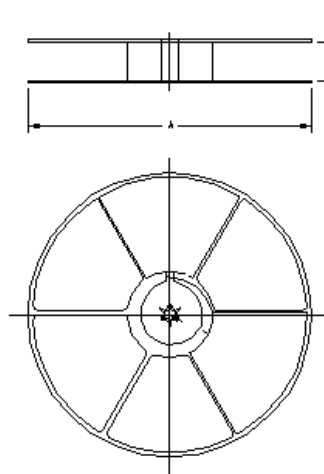
Carrier tape design is defined largely by the component length, width, and thickness.

A_o = Dimension designed to accommodate the component width.
B_o = Dimension designed to accommodate the component length.
K_o = Dimension designed to accommodate the component thickness.
W = Overall width of the carrier tape.
P = Pitch between successive cavity centers.



TAPE AND REEL INFORMATION

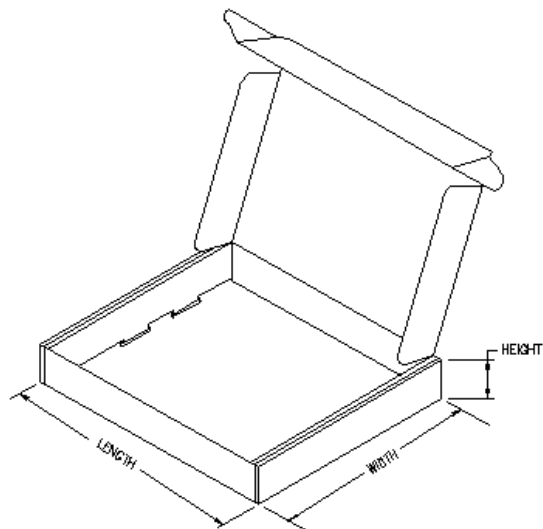
Device	Package	Pins	Site	Reel Diameter (mm)	Reel Width (mm)	A0 (mm)	B0 (mm)	K0 (mm)	P1 (mm)	W (mm)	Pin1 Quadrant
TLC7701IDR	D	8	TAI	330	12	6.4	5.2	2.1	8	12	Q1
TLC7701IPWR	PW	8	MLA	330	12	7.0	3.6	1.6	8	12	Q1
TLC7701QDR	D	8	TAI	330	12	6.4	5.2	2.1	8	12	Q1
TLC7701QPWR	PW	8	MLA	330	12	7.0	3.6	1.6	8	12	Q1
TLC7703IDR	D	8	TAI	330	12	6.4	5.2	2.1	8	12	Q1
TLC7703IPWR	PW	8	MLA	330	12	7.0	3.6	1.6	8	12	Q1
TLC7705IDR	D	8	TAI	330	12	6.4	5.2	2.1	8	12	Q1
TLC7705IPWR	PW	8	MLA	330	12	7.0	3.6	1.6	8	12	Q1
TLC7705QDR	D	8	TAI	330	12	6.4	5.2	2.1	8	12	Q1
TLC7705QPWR	PW	8	MLA	330	12	7.0	3.6	1.6	8	12	Q1
TLC7725IDR	D	8	TAI	330	12	6.4	5.2	2.1	8	12	Q1
TLC7725IPWR	PW	8	MLA	330	12	7.0	3.6	1.6	8	12	Q1
TLC7725QDR	D	8	TAI	330	12	6.4	5.2	2.1	8	12	Q1
TLC7725QPWR	PW	8	MLA	330	12	7.0	3.6	1.6	8	12	Q1
TLC7733IDR	D	8	TAI	330	12	6.4	5.2	2.1	8	12	Q1
TLC7733IPWR	PW	8	MLA	330	12	7.0	3.6	1.6	8	12	Q1
TLC7733QDR	D	8	TAI	330	12	6.4	5.2	2.1	8	12	Q1
TLC7733QPWR	PW	8	MLA	330	12	7.0	3.6	1.6	8	12	Q1



TAPE AND REEL BOX INFORMATION

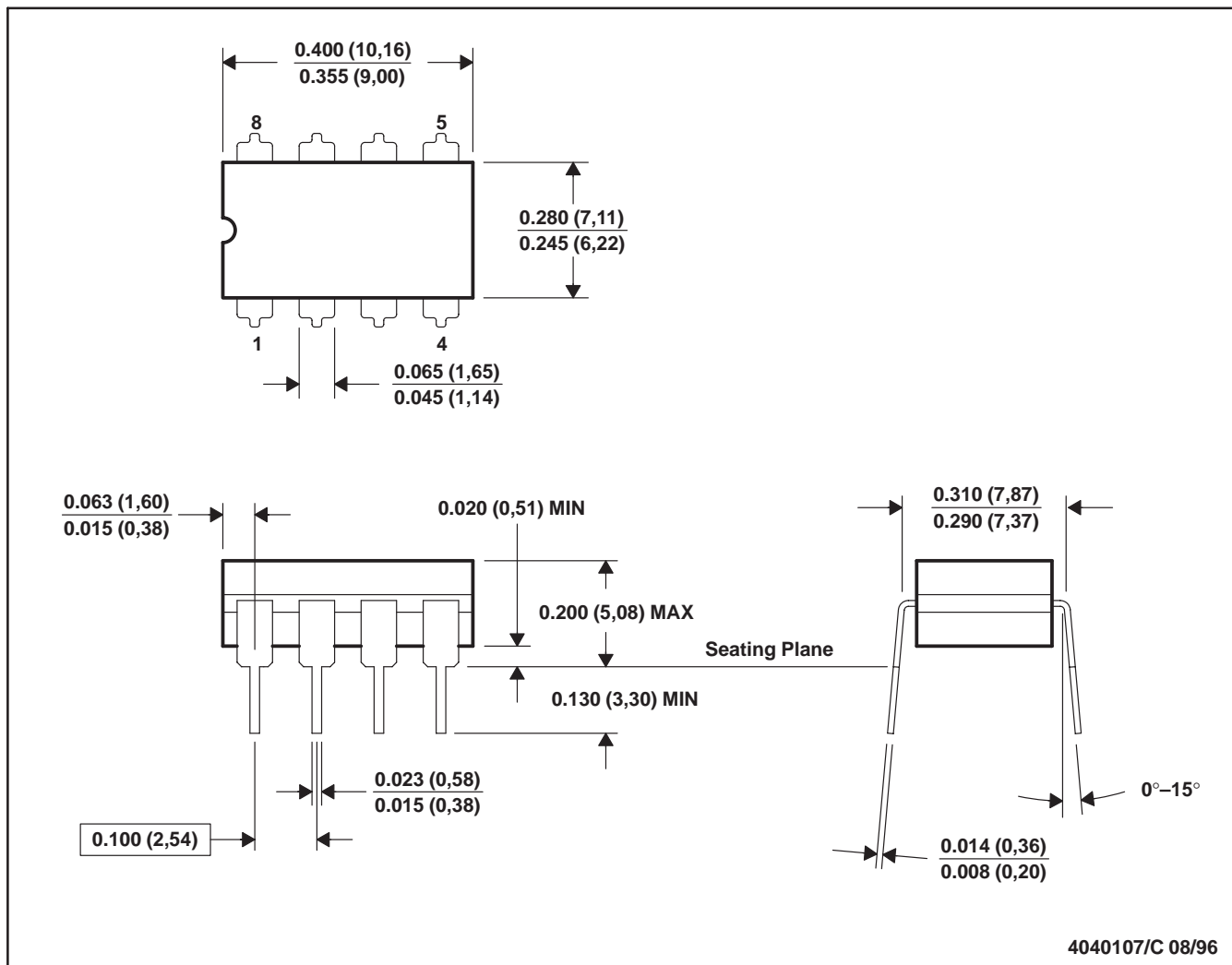
Device	Package	Pins	Site	Length (mm)	Width (mm)	Height (mm)
TLC7701IDR	D	8	TAI	346.0	346.0	29.0
TLC7701IPWR	PW	8	MLA	346.0	346.0	29.0
TLC7701QDR	D	8	TAI	346.0	346.0	29.0

Device	Package	Pins	Site	Length (mm)	Width (mm)	Height (mm)
TLC7701QPWR	PW	8	MLA	342.9	336.6	20.64
TLC7703IDR	D	8	TAI	346.0	346.0	29.0
TLC7703IPWR	PW	8	MLA	346.0	346.0	29.0
TLC7705IDR	D	8	TAI	346.0	346.0	29.0
TLC7705IPWR	PW	8	MLA	346.0	346.0	29.0
TLC7705QDR	D	8	TAI	346.0	346.0	29.0
TLC7705QPWR	PW	8	MLA	346.0	346.0	29.0
TLC7725IDR	D	8	TAI	346.0	346.0	29.0
TLC7725IPWR	PW	8	MLA	346.0	346.0	29.0
TLC7725QDR	D	8	TAI	346.0	346.0	29.0
TLC7725QPWR	PW	8	MLA	346.0	346.0	29.0
TLC7733IDR	D	8	TAI	346.0	346.0	29.0
TLC7733IPWR	PW	8	MLA	346.0	346.0	29.0
TLC7733QDR	D	8	TAI	346.0	346.0	29.0
TLC7733QPWR	PW	8	MLA	346.0	346.0	29.0



JG (R-GDIP-T8)

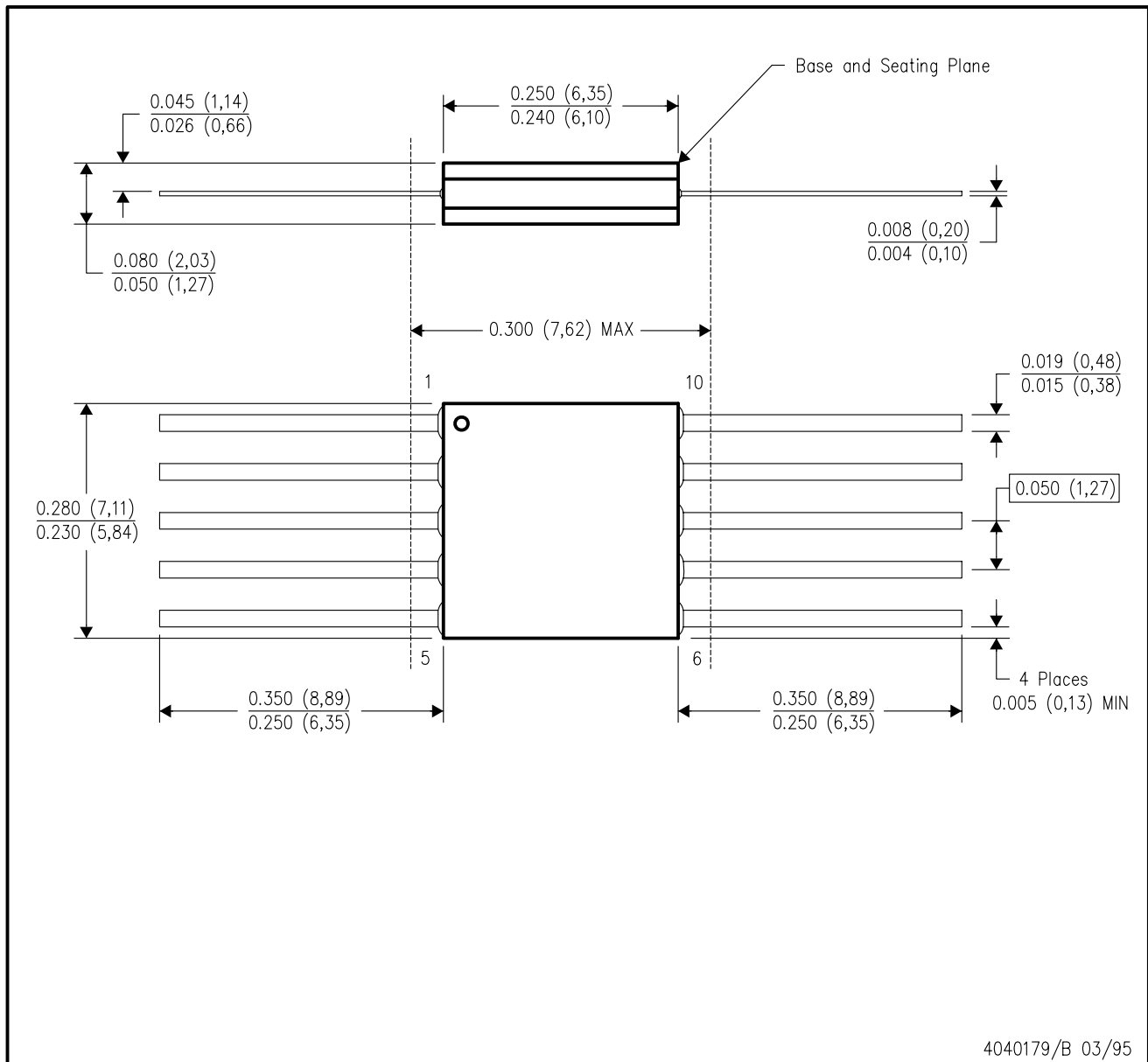
CERAMIC DUAL-IN-LINE



- NOTES: A. All linear dimensions are in inches (millimeters).
 B. This drawing is subject to change without notice.
 C. This package can be hermetically sealed with a ceramic lid using glass frit.
 D. Index point is provided on cap for terminal identification.
 E. Falls within MIL STD 1835 GDIP1-T8

U (S-GDFP-F10)

CERAMIC DUAL FLATPACK



- NOTES:
- All linear dimensions are in inches (millimeters).
 - This drawing is subject to change without notice.
 - This package can be hermetically sealed with a ceramic lid using glass frit.
 - Index point is provided on cap for terminal identification only.
 - Falls within MIL STD 1835 GDFP1-F10 and JEDEC MO-092AA

FK (S-CQCC-N**)

LEADLESS CERAMIC CHIP CARRIER

28 TERMINAL SHOWN



4040140/D 10/96

- NOTES:
- A. All linear dimensions are in inches (millimeters).
 - B. This drawing is subject to change without notice.
 - C. This package can be hermetically sealed with a metal lid.
 - D. The terminals are gold plated.
 - E. Falls within JEDEC MS-004

P (R-PDIP-T8)

PLASTIC DUAL-IN-LINE



- NOTES: A. All linear dimensions are in inches (millimeters).
 B. This drawing is subject to change without notice.
 C. Falls within JEDEC MS-001

For the latest package information, go to http://www.ti.com/sc/docs/package/pkg_info.htm

D (R-PDSO-G8)

PLASTIC SMALL-OUTLINE PACKAGE



- NOTES:
- A. All linear dimensions are in inches (millimeters).
 - B. This drawing is subject to change without notice.
 - C. Body length does not include mold flash, protrusions, or gate burrs. Mold flash, protrusions, or gate burrs shall not exceed .006 (0,15) per end.
 - D. Body width does not include interlead flash. Interlead flash shall not exceed .017 (0,43) per side.
 - E. Reference JEDEC MS-012 variation AA.

PW (R-PDSO-G**)

PLASTIC SMALL-OUTLINE PACKAGE

14 PINS SHOWN



4040064/F 01/97

- NOTES: A. All linear dimensions are in millimeters.
 B. This drawing is subject to change without notice.
 C. Body dimensions do not include mold flash or protrusion not to exceed 0,15.
 D. Falls within JEDEC MO-153

IMPORTANT NOTICE

Texas Instruments Incorporated and its subsidiaries (TI) reserve the right to make corrections, modifications, enhancements, improvements, and other changes to its products and services at any time and to discontinue any product or service without notice. Customers should obtain the latest relevant information before placing orders and should verify that such information is current and complete. All products are sold subject to TI's terms and conditions of sale supplied at the time of order acknowledgment.

TI warrants performance of its hardware products to the specifications applicable at the time of sale in accordance with TI's standard warranty. Testing and other quality control techniques are used to the extent TI deems necessary to support this warranty. Except where mandated by government requirements, testing of all parameters of each product is not necessarily performed.

TI assumes no liability for applications assistance or customer product design. Customers are responsible for their products and applications using TI components. To minimize the risks associated with customer products and applications, customers should provide adequate design and operating safeguards.

TI does not warrant or represent that any license, either express or implied, is granted under any TI patent right, copyright, mask work right, or other TI intellectual property right relating to any combination, machine, or process in which TI products or services are used. Information published by TI regarding third-party products or services does not constitute a license from TI to use such products or services or a warranty or endorsement thereof. Use of such information may require a license from a third party under the patents or other intellectual property of the third party, or a license from TI under the patents or other intellectual property of TI.

Reproduction of TI information in TI data books or data sheets is permissible only if reproduction is without alteration and is accompanied by all associated warranties, conditions, limitations, and notices. Reproduction of this information with alteration is an unfair and deceptive business practice. TI is not responsible or liable for such altered documentation. Information of third parties may be subject to additional restrictions.

Resale of TI products or services with statements different from or beyond the parameters stated by TI for that product or service voids all express and any implied warranties for the associated TI product or service and is an unfair and deceptive business practice. TI is not responsible or liable for any such statements.

TI products are not authorized for use in safety-critical applications (such as life support) where a failure of the TI product would reasonably be expected to cause severe personal injury or death, unless officers of the parties have executed an agreement specifically governing such use. Buyers represent that they have all necessary expertise in the safety and regulatory ramifications of their applications, and acknowledge and agree that they are solely responsible for all legal, regulatory and safety-related requirements concerning their products and any use of TI products in such safety-critical applications, notwithstanding any applications-related information or support that may be provided by TI. Further, Buyers must fully indemnify TI and its representatives against any damages arising out of the use of TI products in such safety-critical applications.

TI products are neither designed nor intended for use in military/aerospace applications or environments unless the TI products are specifically designated by TI as military-grade or "enhanced plastic." Only products designated by TI as military-grade meet military specifications. Buyers acknowledge and agree that any such use of TI products which TI has not designated as military-grade is solely at the Buyer's risk, and that they are solely responsible for compliance with all legal and regulatory requirements in connection with such use.

TI products are neither designed nor intended for use in automotive applications or environments unless the specific TI products are designated by TI as compliant with ISO/TS 16949 requirements. Buyers acknowledge and agree that, if they use any non-designated products in automotive applications, TI will not be responsible for any failure to meet such requirements.

Following are URLs where you can obtain information on other Texas Instruments products and application solutions:

Products		Applications	
Amplifiers	amplifier.ti.com	Audio	www.ti.com/audio
Data Converters	dataconverter.ti.com	Automotive	www.ti.com/automotive
DSP	dsp.ti.com	Broadband	www.ti.com/broadband
Interface	interface.ti.com	Digital Control	www.ti.com/digitalcontrol
Logic	logic.ti.com	Military	www.ti.com/military
Power Mgmt	power.ti.com	Optical Networking	www.ti.com/opticalnetwork
Microcontrollers	microcontroller.ti.com	Security	www.ti.com/security
RFID	www.ti-rfid.com	Telephony	www.ti.com/telephony
Low Power Wireless	www.ti.com/lpw	Video & Imaging	www.ti.com/video
		Wireless	www.ti.com/wireless

Mailing Address: Texas Instruments, Post Office Box 655303, Dallas, Texas 75265
Copyright © 2007, Texas Instruments Incorporated