

T-41-39

LM020L LM020LN (EL Backlit Version)

- 16 character x 1 line
- Controller LSI HD44780 is built-in (See page 115).
- +5V single power supply

MECHANICAL DATA (Nominal dimensions)

Module size 80W x 36H x 12T (max.) mm
 Effective display area 64.5W x 13.8H mm
 Character size (5 x 7 dots) 3.07W x 5.73H mm
 Character pitch 3.77 mm
 Dot size 0.55W x 0.75H mm
 Weight about 25 g

ABSOLUTE MAXIMUM RATINGS

	min.	max.
Power supply for logic ($V_{DD}-V_{SS}$)	0	7.0 V
Power supply for LCD drive ($V_{DD}-V_O$)	0	13.5 V
Input voltage (Vi)	V_{SS}	V_{DD} V
Operating temperature (Ta)	0	50°C
Storage temperature (Tstg)	-20	70°C
EL Power Supply (when fitted)		
Voltage (VEL)	AC 150 Vms	
Frequency (fEL) (at 100 Vms)	1kHz	

ELECTRICAL CHARACTERISTICS

Ta = 25°C, $V_{DD} = 5.0 V \pm 0.25 V$

Input "high" voltage (V_{IH})	2.2 V min.
Input "low" voltage (V_{IL})	0.6 V max.
Output high voltage (V_{OH}) ($-I_{OH} = 0.2 mA$)	2.4 V min.
Output low voltage (V_{OL}) ($I_{OL} = 1.2 mA$)	0.4 V max.
Power supply current (I_{DD}) ($V_{DD} = 5.0 V$)	1.0 mA typ. 2.0 mA max.
Power supply for LCD drive (Recommended) ($V_{DD}-V_O$)	Duty = 1/16
Range of $V_{DD}-V_O$	1.5~5.25 V
Ta = 0°C	4.6 V typ.
Ta = 25°C	4.4 V typ.
Ta = 50°C	4.2 V typ.
Power Supply for EL (when fitted)	
VEL (typ. at 400Mz)	100 Vms
fEL (max at VEL 100V, fEL 400Hz)	9.5mA

OPTICAL DATA See page 5.

INTERNAL PIN CONNECTION

Pin No.	Symbol	Level	Function
1	V_{SS}	-	0V
2	V_{DD}	-	+5V
3	V_O	-	-
4	RS	H/L	L: Instruction code input H: Data input
5	R/W	H/L	H: Data read (LCD module → MPU) L: Data write (LCD module ← MPU)
6	E	H, H → L	Enable signal
7	DB0	H/L	Data bus line Note (1), (2)
8	DB1	H/L	
9	DB2	H/L	
10	DB3	H/L	
11	DB4	H/L	
12	DB5	H/L	
13	DB6	H/L	
14	DB7	H/L	

Luminescent output of EL (where fitted) at $\theta = 25^\circ C$, $\theta = 0^\circ C - 6cd / m^2$ typ.

Notes:

In the HD44780, the data can be sent in either 4-bit 2-operation or 8-bit 1-operation so that it can interface to both 4 and 8 bit MPU's.

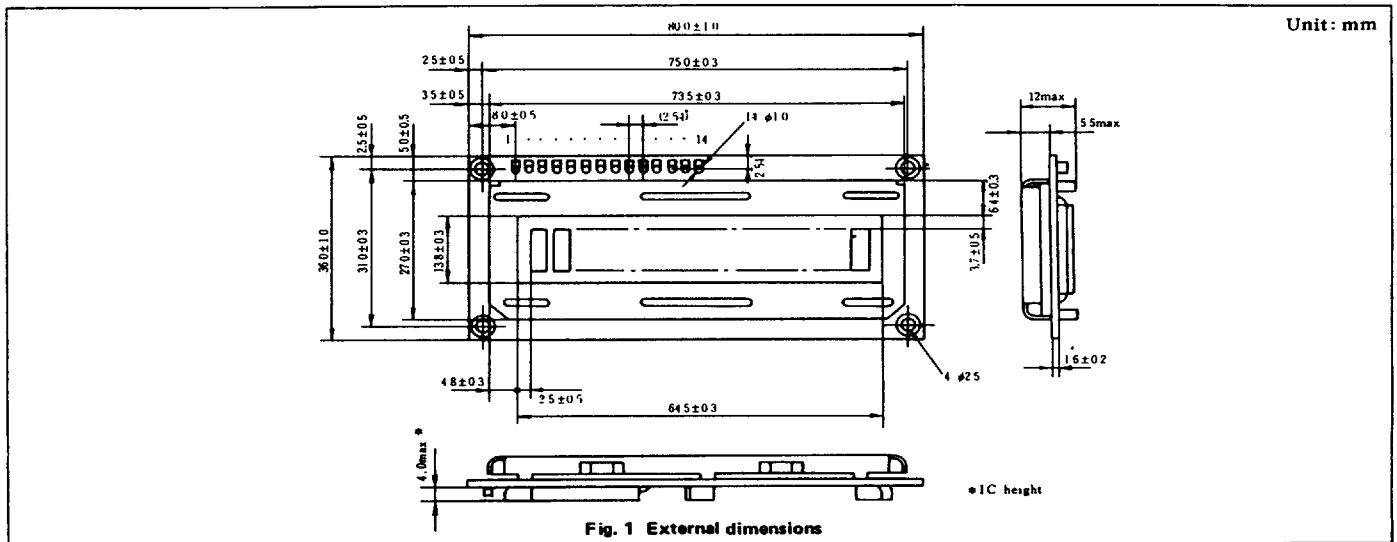
- (1) When interface data is 4 bits long, data is transferred using only 4 buses of $DB_4 \sim DB_7$, and $DB_0 \sim DB_3$ are not used. Data transfer between the HD44780 and the MPU completes when 4-bit data is transferred twice. Data of the higher order 4 bits (contents of $DB_4 \sim DB_7$, when interface data is 8 bits long) is transferred first and then lower order 4 bits (contents of $DB_0 \sim DB_3$, when interface data is 8 bits long).
- (2) When interface data is 8 bits long, data is transferred using 8 data buses of $DB_0 \sim DB_7$.

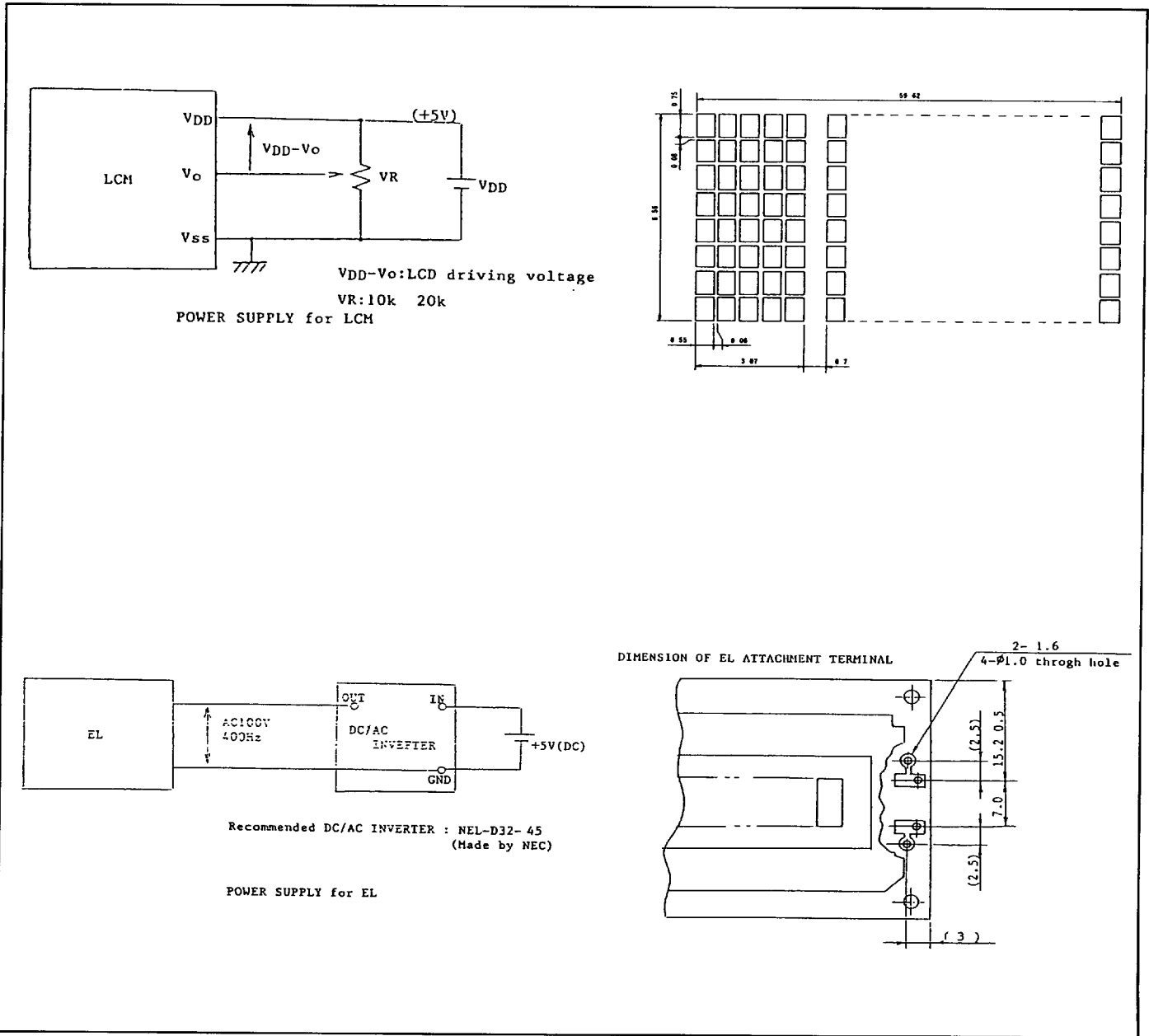
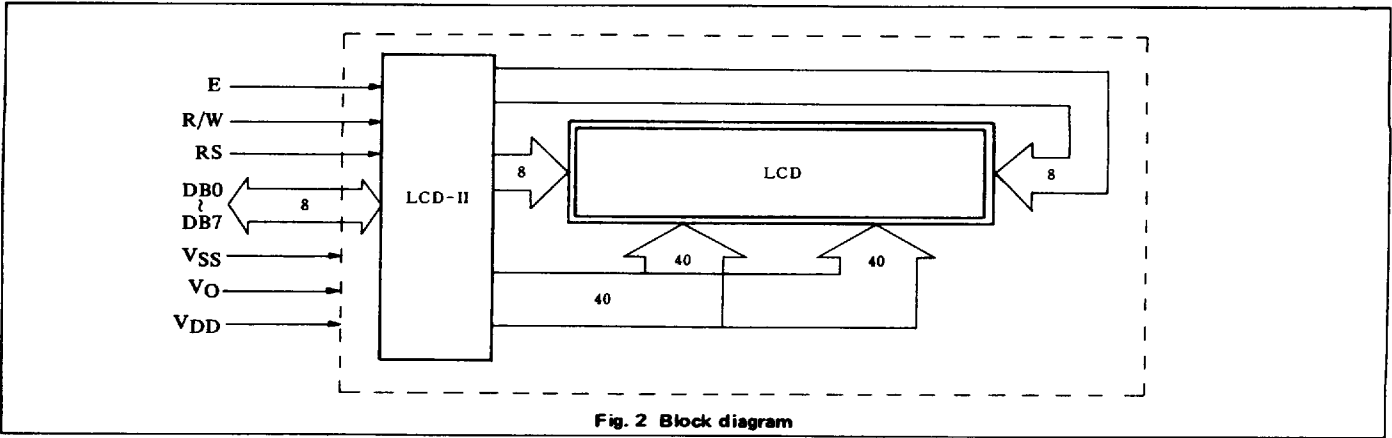
DRIVING INFORMATION

To reduce component count, this module is configured as a 2 line of 8 character display but with these organised to visually appear as 1 line of 16 characters.

The consequences are :

- 1) on power up this must be configured as 2 line display
- 2) character address not continuous 0 - 7 address is 00HEX - 07HEX, 8 - 15 address is 40HEX - 47HEX





TIMING CHARACTERISTICS

Item	Symbol	Test condition	Min.	Typ.	Max.	Unit
Enable cycle time	t_{cyc}	Fig. 5, Fig. 6	1.0	—	—	μs
Enable pulse width	PW_{EH}	Fig. 5, Fig. 6	450	—	—	ns
Enable rise/fall time	t_{Er}, t_{Ef}	Fig. 5, Fig. 6	—	—	25	ns
RS, R/W set up time	t_{AS}	Fig. 5, Fig. 6	140	—	—	ns
Data delay time	t_{DDR}	Fig. 6	—	—	320	ns
Data set up time	t_{DSW}	Fig. 5	195	—	—	ns
Hold time	t_H	Fig. 5, Fig. 6	20	—	—	ns

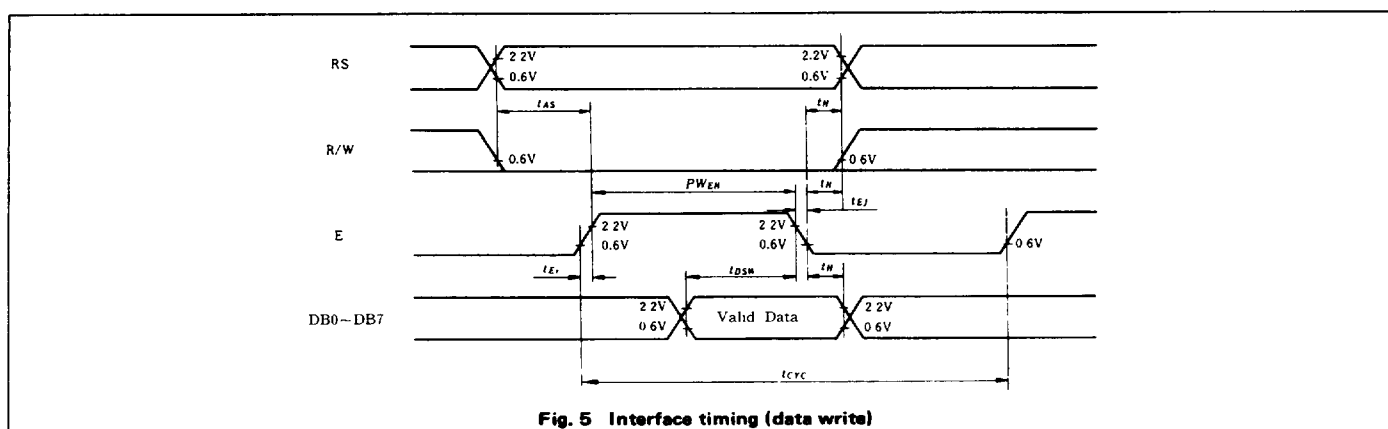


Fig. 5 Interface timing (data write)

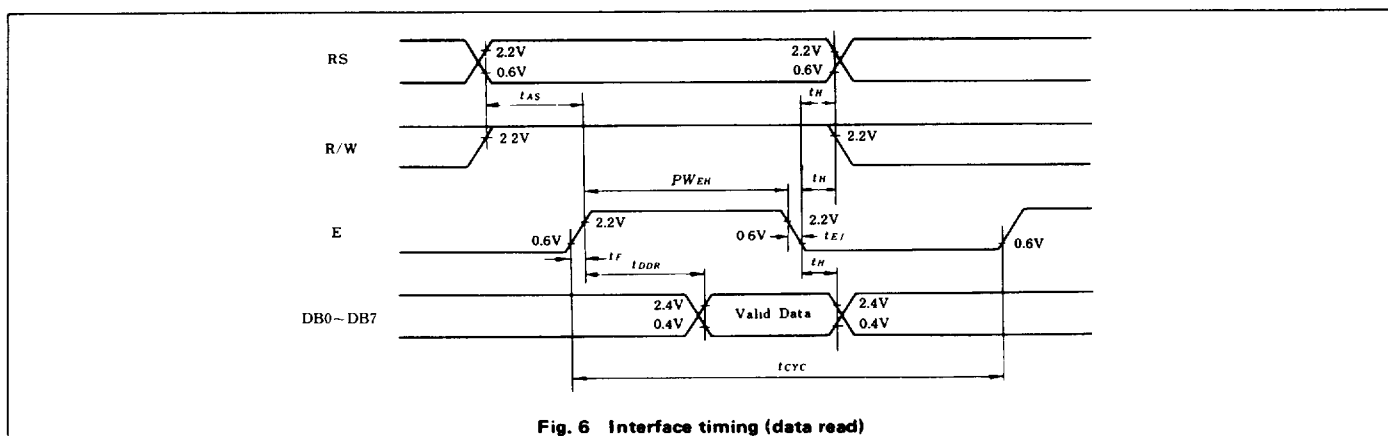


Fig. 6 Interface timing (data read)